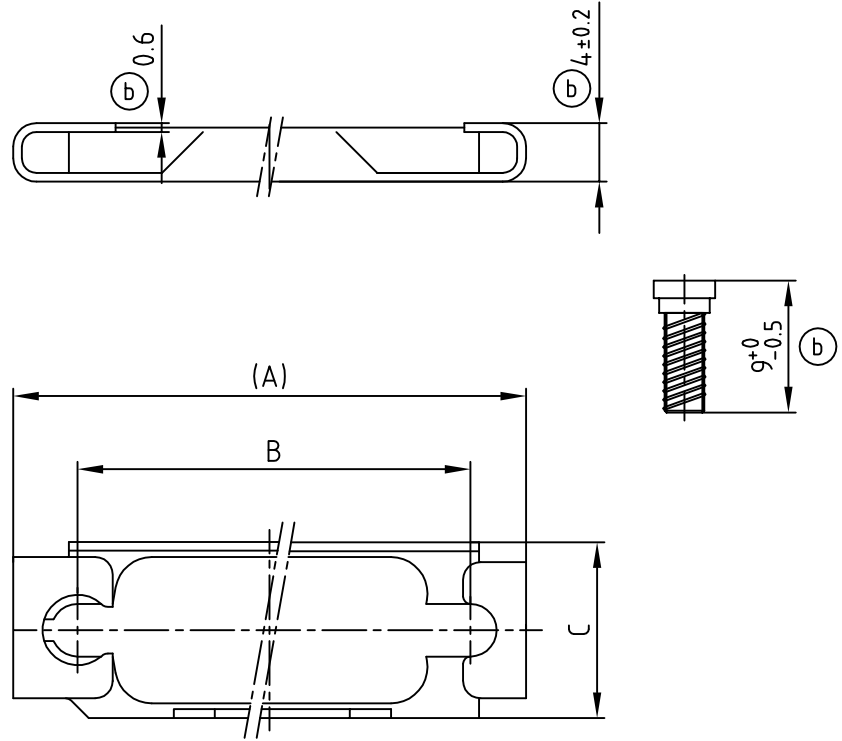


used for: D-SUB



(b) A set consists of:  
1 frame  
2 screws

(b) Material and plating:  
frame - stainless steel  
screws; 5-7µ Zn thickfilm passivated

| No. of Pos. | (b) A | (b) B | (b) C | Part No.   |
|-------------|-------|-------|-------|------------|
| 9           | 35.0  | 27.4  | 12.0  | 160X10159X |
| 15          | 43.3  | 35.7  | 11.5  | 160X10169X |
| 25          | 57.0  | 49.4  | 12.0  | 160X10179X |
| 37          | 74.4  | 65.9  | 12.0  | 160X10189X |
| 50          | 72.0  | 63.5  | 15.0  | 160X10199X |

Directive 2002/95/EC  
„RoHS“  
Compliant

THIS DRAWING MAY NOT BE COPIED OR REPRODUCED IN ANY WAY, AND MAY NOT BE PASSED ON TO A THIRD PARTY WITHOUT WRITTEN PERMISSION.  
OWNERSHIP AND COPYRIGHT OF CONEC GmbH  
DO NOT ALTER CAD DRAWING BY HAND

|                             |  |             |            |      |              |            |                                                                |  |
|-----------------------------|--|-------------|------------|------|--------------|------------|----------------------------------------------------------------|--|
| tolerance<br>DIN ISO 2768-m |  |             |            |      |              | scale: 2:1 |                                                                |  |
| 2002                        |  |             | date       |      | name         |            | material: SEE NOTES                                            |  |
| drawn                       |  |             | 12.03.     |      | Schmidt      |            | title:<br>Slide-lock Typ 3<br>with locking bolt<br>9 - 50 pos. |  |
| appd.                       |  |             | 12.03.     |      | Mickenbecker |            |                                                                |  |
| norm                        |  |             |            |      |              |            |                                                                |  |
| d-old                       |  |             | KAT1X5A    |      |              |            |                                                                |  |
| 8 x b                       |  | Ä 3055      | 14.07.2008 |      | Lehmen       |            | dwg no: AutoCAD 2000                                           |  |
| a                           |  | Origin      |            |      |              | DIN-A      |                                                                |  |
| rev.                        |  | description |            | date |              | name       |                                                                |  |
|                             |  |             |            |      |              | 4          |                                                                |  |
|                             |  |             |            |      |              | sh: 1/1    |                                                                |  |



part no: SEE TABLE

# Mouser Electronics

Authorized Distributor

Click to View Pricing, Inventory, Delivery & Lifecycle Information:

[CONEC:](#)

[160X10199X](#)