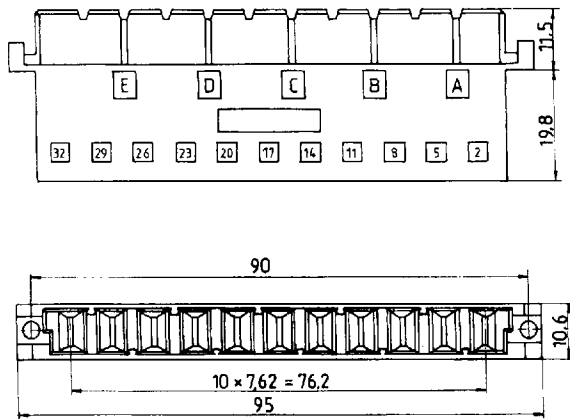
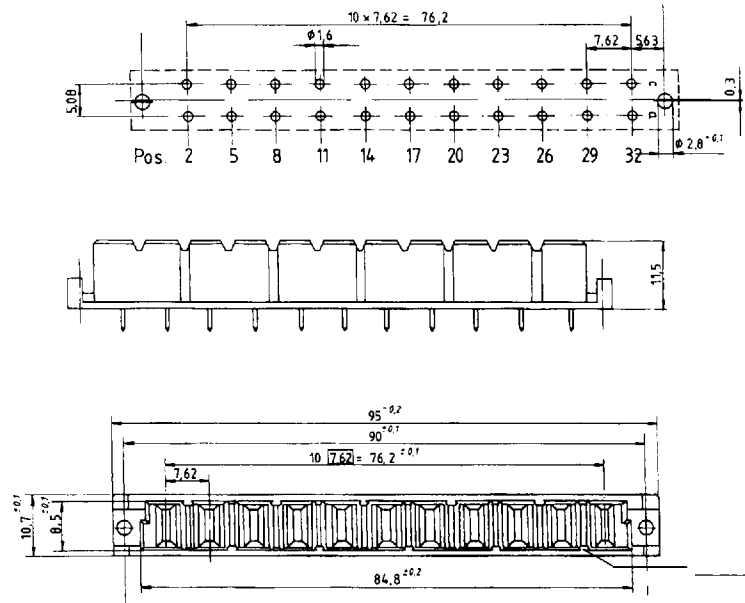


Female connector

Drawing

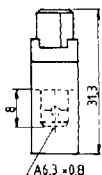


Board drillings

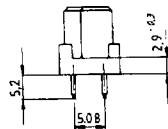


Type of termination

Faston



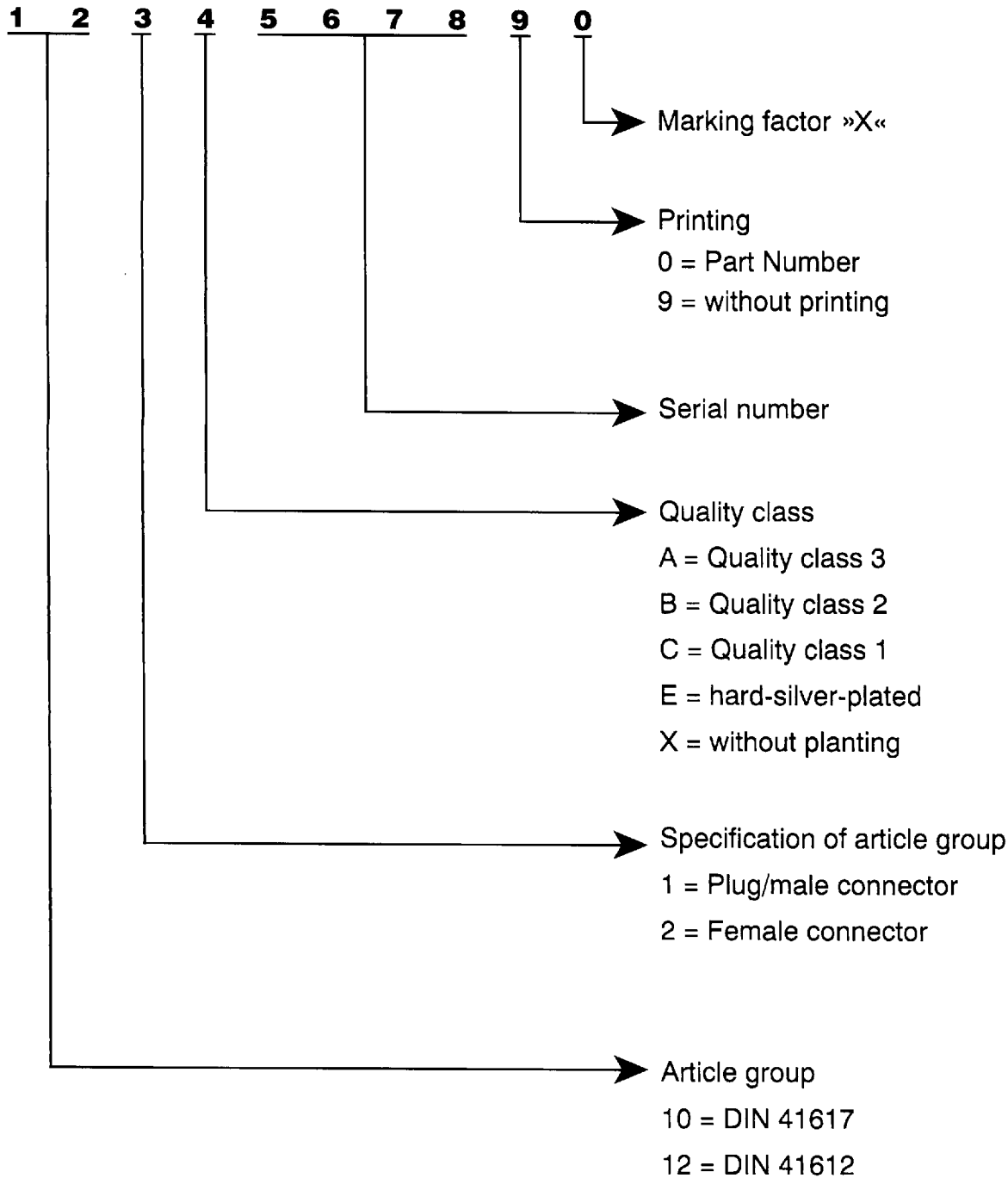
Solder pin



## Part numbers

| No. of Pos. | Female connector          |                            |                      |
|-------------|---------------------------|----------------------------|----------------------|
|             | Faston                    | Solder pin                 | Coding pice          |
| 11          | H 11 FFA<br>122 E 11709 X | H 11 FP 5<br>122 E 11719 X | HKK<br>120 X 10019 X |

### Part Number



### Order example

| Male connector type C 64 pos. angled solder pin without printing |                                       |
|--|---------------------------------------|
| Quality class  | Part Number                           |
| <b>3</b>   | C 64 M 3 A a + c <b>121 A 10139 X</b> |
| <b>2</b>   | C 64 M 2 A a + c <b>121 B 10139 X</b> |
| <b>1</b>   | C 64 M 1 A a + c <b>121 C 10139 X</b> |

■ 9017935 0000163 041 ■

| Type M/2                 | Type R                   | Type R/2                 | Type D                   | Type E                   | Type F                   | Type F Ex-i              | Type G                    | Type H                   | Mixed connectors         |                          |
|--------------------------|--------------------------|--------------------------|--------------------------|--------------------------|--------------------------|--------------------------|---------------------------|--------------------------|--------------------------|--------------------------|
|                          |                          |                          |                          |                          |                          |                          |                           |                          | F                        | H                        |
| ≤ 20 mΩ                  | ≤ 20 mΩ                  | ≤ 20 mΩ                  | ≤ 15 mΩ                  | ≤ 15 mΩ                  | ≤ 15 mΩ                  | ≤ 15 mΩ                  | ≤ 15 mΩ                   | ≤ 15 mΩ                  | ≤ 15 mΩ                  | ≤ 8 mΩ                   |
| ≥ 10 <sup>12</sup> Ω     | ≥ 10 <sup>12</sup> Ω     | ≥ 10 <sup>12</sup> Ω     | ≥ 10 <sup>12</sup> Ω     | ≥ 10 <sup>12</sup> Ω     | ≥ 10 <sup>12</sup> Ω     | ≥ 10 <sup>12</sup> Ω     | ≥ 10 <sup>12</sup> Ω      | ≥ 10 <sup>12</sup> Ω     | ≥ 10 <sup>12</sup> Ω     |                          |
| ≥ 10 <sup>12</sup> Ω     | ≥ 10 <sup>12</sup> Ω     | ≥ 10 <sup>12</sup> Ω     | ≥ 10 <sup>12</sup> Ω     | ≥ 10 <sup>12</sup> Ω     | ≥ 10 <sup>12</sup> Ω     | ≥ 10 <sup>12</sup> Ω     | ≥ 10 <sup>12</sup> Ω      | ≥ 10 <sup>12</sup> Ω     | ≥ 10 <sup>12</sup> Ω     |                          |
| ≥ 10 <sup>11</sup> Ω     | ≥ 10 <sup>11</sup> Ω     | ≥ 10 <sup>11</sup> Ω     | ≥ 10 <sup>11</sup> Ω     | ≥ 10 <sup>11</sup> Ω     | ≥ 10 <sup>11</sup> Ω     | ≥ 10 <sup>11</sup> Ω     | ≥ 10 <sup>11</sup> Ω      | ≥ 10 <sup>11</sup> Ω     | ≥ 10 <sup>11</sup> Ω     |                          |
| ≥ 1,2 mm                 | ≥ 1,2 mm                 | ≥ 1,2 mm                 | ≥ 3 mm                   | ≥ 3 mm                   | ≥ 1,6 mm                 | ≥ 1,6 mm                 | ≥ 1,6 mm<br>f+z           | ≥ 4,5 mm                 | ≥ 1,6 mm                 | ≥ 4,5 mm                 |
| ≥ 1,2 mm                 | ≥ 1,2 mm                 | ≥ 1,2 mm                 | ≥ 3 mm                   | ≥ 3 mm                   | ≥ 3 mm                   | ≥ 3 mm                   | ≥ 3 mm<br>≥ 1,9 mm<br>f+z | ≥ 8 mm                   | ≥ 3 mm                   | ≥ 8 mm                   |
| 1000 V                   | 1000 V                   | 1000 V                   | 1000 V                   | 1000 V                   | 1550 V                   | 1550 V                   | 1550 V                    | 3100 V                   | 1550 V                   | 3100 V                   |
| 1550 V                   | 1550 V                   | 1550 V                   | 1550 V                   | 1550 V                   | 2550 V                   | 2550 V                   | 2550 V                    | 3100 V                   | 1550 V                   | 3100 V                   |
| 250 V                    | 250 V                    | 250 V                    | 125 V                    | 125 V                    | 125 V                    | 125 V                    | 125 V                     | 500 V                    | 125 V                    | 500 V                    |
| A                        | A                        | A                        | C                        | C                        | C                        | C                        | C                         | C                        | C                        | C                        |
| 2 A<br>1 A<br>0,5 A      | 2 A<br>1 A<br>0,5 A      | 2 A<br>1 A<br>0,5 A      | 5,5 A<br>4 A<br>2,5 A    | 5,5 A<br>4 A<br>2,5 A    | 5,5 A<br>4 A<br>2,5 A    | 5,5 A<br>4 A<br>2,5 A    | 5,5 A<br>4 A<br>2,5 A     | 15 A<br>12 A<br>8 A      | 5,5 A<br>4 A<br>2,5 A    | 15 A<br>12 A<br>8 A      |
| -55° C<br>...<br>+125° C | -55° C<br>...<br>+125° C | -55° C<br>...<br>+125° C | -55° C<br>...<br>+125° C | -55° C<br>...<br>+125° C | -55° C<br>...<br>+125° C | -55° C<br>...<br>+125° C | -55° C<br>...<br>+125° C  | -55° C<br>...<br>+125° C | -55° C<br>...<br>+125° C | -55° C<br>...<br>+125° C |
| X                        | X                        | X                        | X                        | X                        | X                        | X                        | X                         | X                        | X                        | X                        |

Copper alloy

|   |   |   |   |   |   |   |   |   |   |
|---|---|---|---|---|---|---|---|---|---|
| X | X | X | X | X | X | X | X | X | X |
|   |   |   |   |   |   |   |   | X |   |

UL 94 V-1

UL 94 V-0

UL 94 H-B

|   |         |         |         |         |         |         |          |         |               |
|---|---------|---------|---------|---------|---------|---------|----------|---------|---------------|
| 16+8p 75 N<br>30+2p 45 N<br>20+2p 35 N<br>12+4p 40 N<br>8+4p 38 N<br>87+1p 90 N<br>58+1p 85 N | 32p 30N | 16p 15N | 16p 20N | 16p 20N | 32p 50N | 32p 50N | 64p 100N | 11p 80N | 16p + 7p 67 N |
|   | 64p 60N | 32p 30N | 32p 40N | 32p 40N | 48p 75N | 48p 75N |          | 15p 90N | 24p + 7p 79 N |
|   | 96p 90N | 48p 45N |         | 48p 60N |         |         |          |         | 36p + 7p 96 N |
| X   | X       | X       | X       | X       | X       | X       | X        |         | X             |
| X   | X       | X       | X       | X       | X       | X       | X        |         |               |
| X   | X       | X       | X       | X       | X       | X       | X        |         |               |
|   |         |         |         |         |         |         |          | X       |               |
|   |         |         |         |         |         |         |          |         | X             |

# Mouser Electronics

Authorized Distributor

Click to View Pricing, Inventory, Delivery & Lifecycle Information:

[CONEC:](#)

[122E11709X](#)