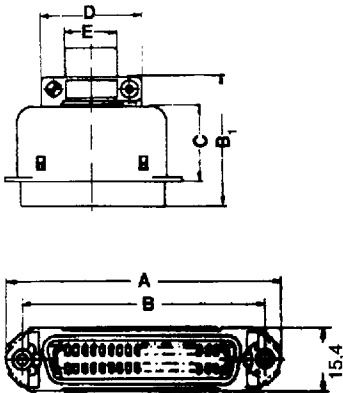


57 Ribbon

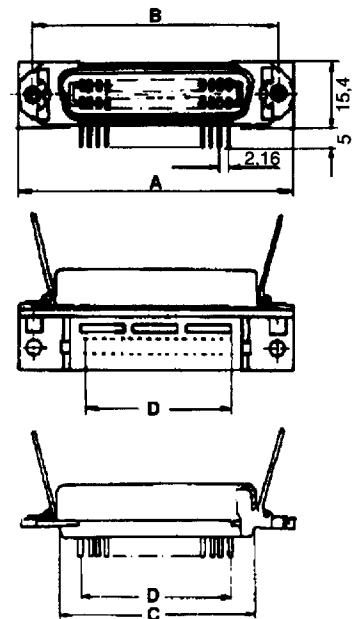
TECHNICAL DATA

Current rating: 5 A
 Contact material: phosphor bronze
 Contact plating: gold over nickel
 Insulator material: Polyamid UL 94 V-O
 Shell: steel, tin-plated
 Temperature rating: - 55° C to + 125° C

Plug connector



Socket connector



No. of pos.	A	B	C	D	E
14	38	40	22	23	8
24	49	40	22	28	11
36	62	41	23	32	13
50	76	44	25	35	13

Polzahl No. of pos.	A	B	C	D	E
14	44	36	23	14	24
24	56	47	34	24	25
36	68	60	46	37	26
50	83	75	62	53	27

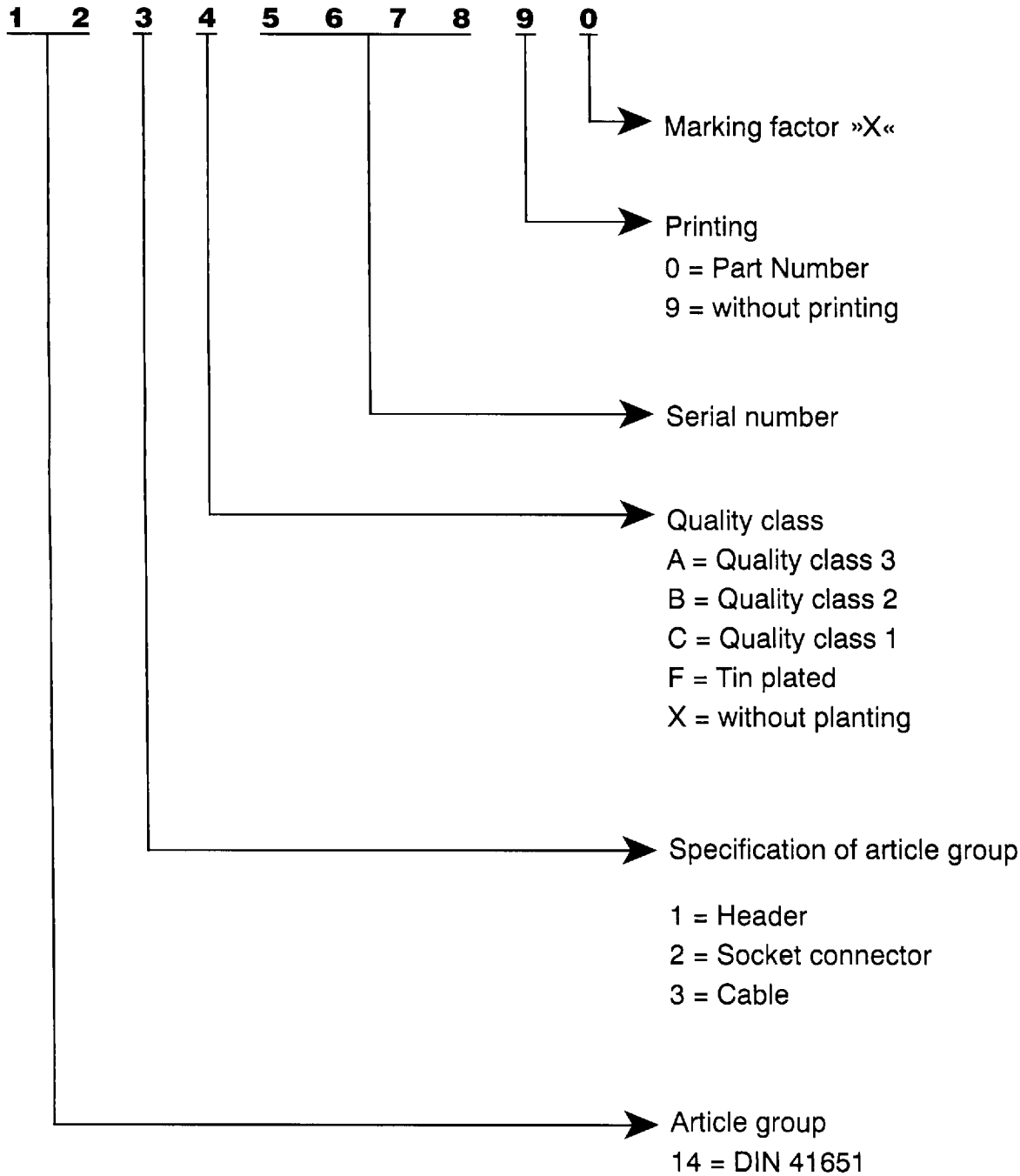
Polzahl No. of pos.	A	B	C	D
14	44	36	14	24
24	55	47	24	25
36	68	60	37	26
50	82	75	53	27

Part numbers

No. of Pos.	Plug connector with hood
14	CRS 14 LG 301 A 10249 X
24	CRS 24 LG 301 A 10259 X
36	CRS 36 LG 301 A 10269 X
50	CRS 50 LG 301 A 10279 X

No. of Pos.	Socket connector	
	straight	angled
14	CRF 14 L 302 A 10549 X	CRF 14 A 302 A 10589 X
24	CRF 24 L 302 A 10559 X	CRF 24 A 302 A 10599 X
36	CRF 36 L 302 A 10569 X	CRF 36 A 302 A 10609 X
50	CRF 50 L 302 A 10579 X	CRF 50 A 302 A 10619 X

Part Number



Order example

Header, long latch, pin length 2.9 mm, 34 pos., right angled solder pin, without printing

Quality class

Part number

3	CSPS 34 HVAP 2,90	141 A 10969 X
2	CSPS 34 HVAP 2,90	141 B 10969 X
1	CSPS 34 HVAP 2,90	141 C 10969 X

Mouser Electronics

Authorized Distributor

Click to View Pricing, Inventory, Delivery & Lifecycle Information:

[CONEC:](#)

[301A10279X](#)