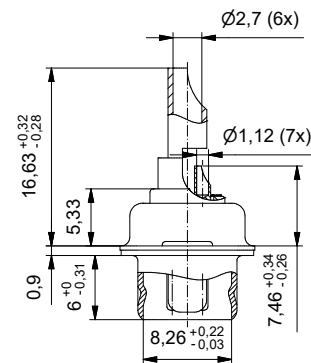
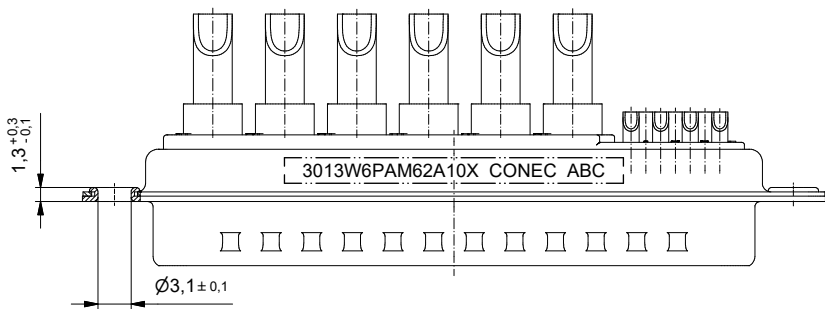
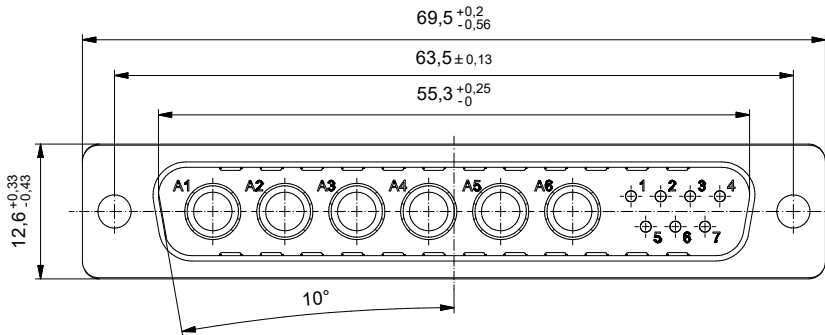


**Technical specification/
Technische Daten:**

Dielectric withstanding voltage/ Spannungsfestigkeit:	1000 V, 50 Hz 1 min.
Current rating/ Strombelastbarkeit:	Signal contact 7,5 A (UL), 5 A (CSA, VDE) Signalkontakt High power contact 20 A Hochstromkontakt
Insulation resistance/ Isolationswiderstand:	≥ 5 GΩ
Solder cup accepts cable/ Lötkehl geeignet für Kabel:	Signal contact AWG 20 Signalkontakt High power contact AWG 12-14 Hochstromkontakt
Temperature range/ Temperaturbereich:	- 55 °C ... + 125 °C
Mating cycles/ Steckzyklen:	Quality class 3 = 50 Gütestufe 3

**Materials/
Werkstoffe:**

Contact/ Kontakt:	Cu alloy, Au over Ni
Insulator/ Isolierkörper:	PBT GF UL 94 V-0, green/grün
Shell/ Gehäuse:	Steel, Sn over Ni



Part no. / Part marked/ Art.-Nr. / Bedruckung:	3013W6PAM62A10X	Contact plating/ Kontakt Veredelung:	Signal contact/ Signalkontakt:	gold flash over nickel Gold über Nickel
		High power contact 20 A/ Hochstromkontakt 20 A:	Plating, mating area: Veredelung, Steckbereich:	gold flash over nickel Gold über Nickel
			Plating, termination side: Veredelung, Anschluss Seite:	gold flash over nickel Gold über Nickel
Index:	a Original	Scale/ Maßstab:	2:1	
Status:	InBearbeitung			
RoHS compliant/ konform				
		dim. in mm		D-SUB Combination Male 13W6P Solder cup D-SUB Combination Stift 13W6P Lötkehl
		Date/ Datum:	Name:	
		drawn/ gezeichnet:	12.07.2019 Lehmenkühler	
		appd./ gezeichnet:	15.07.2019 Henneboel	
		dwg no. / Z.-nr.:		13K1A5837
				DIN-A3
				1 / 1

This reproduction, classification and utilization of this document as well as the communication of its contents to others without express authorization is prohibited. Offenders will be held liable for the payment of damages. For further information on our products and services, please contact our sales department.

Mouser Electronics

Authorized Distributor

Click to View Pricing, Inventory, Delivery & Lifecycle Information:

[CONEC:](#)

[3013W6PAM62A10X](#)