

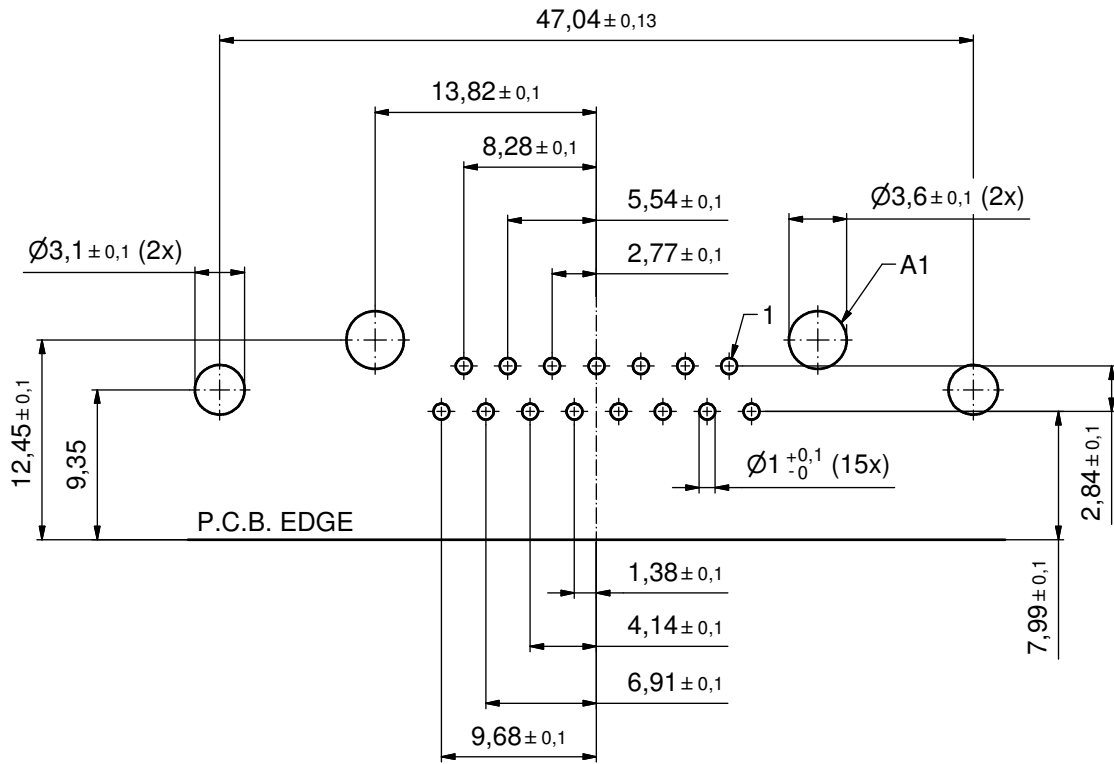
**NOTES:**

- METALSHELLS: STEEL; min. 315µm TIN over 40-80µm NICKEL
- INSULATORS: PBT GF UL 94 V-0; GREEN
- SIGNAL CONTACTS: COPPER ALLOY  
PLATING: GOLD FLASH over NICKEL
- HIGH POWER CONTACTS 20A: COPPER ALLOY  
PLATING MATING AREA: GOLD FLASH over NICKEL  
PLATING TERMINATION SIDE: 160-240µm TIN over 80µm NICKEL
- METAL BRACKETS: ZINC DIE CAST;  
300µm COPPER / 40-120µm NICKEL / 120-200µm TIN
- THREADED INSERTS: COPPER ALLOY; min. 200µm TIN over 80µm NICKEL
- PCB-SNAPS: COPPER ALLOY; min. 200µm TIN over 80µm NICKEL  
PCB-HOLE:  $\varnothing 3.1 \pm 0,1$ mm; PCB-THICKNESS: 1.6mm
- P.C.B. HOLE DRILLINGS ON SHEET 2
- MAXIMUM TORQUE VALUE FOR THREAD: 6 in.LB
- CONNECTOR IS PART MARKED: 3017W2SAT73N40X CONEC ABC

Directive 2002/95/EC RoHS compliant

THIS DRAWING MAY NOT BE COPIED OR REPRODUCED IN ANY WAY, AND MAY NOT BE PASSED ON TO A THIRD PARTY WITHOUT WRITTEN PERMISSION. OWNERSHIP AND COPYRIGHT OF CONEC GmbH  DO NOT ALTER CAD DRAWING BY HAND	tolerance		dim. in mm	scale: 2:1 (5:1)	
				material: see notes	
	date	name		title: <b>D-SUB COMBINATION FEMALE 90°</b> 17W2S with threaded insert, metal bracket and snap	
	drawn 28.08.13	Henneboel			
	appd. 28.08.13	Fischer			
norm	d-old		dwg no:		
a Original			13K1A4431		
rev. description date name			part no: 3017W2SAT73N40X		
				DIN-A3	
				sh: 1/2	

P.C.B. HOLE DRILLINGS  
(P.C.B. TOP SIDE)



THIS DRAWING MAY NOT BE COPIED OR REPRODUCED IN ANY WAY, AND MAY NOT BE PASSED ON TO A THIRD PARTY WITHOUT WRITTEN PERMISSION. OWNERSHIP AND COPYRIGHT OF CONEC GmbH  DO NOT ALTER CAD DRAWING BY HAND				tolerance		scale: 3:1
				dim. in mm		material: see sheet 1
	drawn	28.08.13	Henneboel	title:		
	appd.	28.08.13	Fischer	P.C.B. HOLE DRILLINGS		
	norm			D-SUB COM. FEMALE 90° 17W2S		
	d-old			with threaded insert, metal bracket and snap		
	rev.	a	Original	dwg no:		DIN-A3
description			13K1A4431		sh: 2/2	
date			part no:		see sheet 1	
name			<b>CONEC</b> <sup>®</sup>			

# Mouser Electronics

Authorized Distributor

Click to View Pricing, Inventory, Delivery & Lifecycle Information:

[CONEC:](#)

[3017W2SAT73N40X](#)