

**Technical specification/  
Technische Daten:**

Working voltage/ Betriebsspannung: IEC 664-1	100 VDC
Current rating/ Strombelastbarkeit:	7,5 A (UL) / 5 A (CSA, VDE)
Insulation resistance/ Isolationswiderstand:	≥ 1 GΩ
Dielectric withstanding voltage/ Spannungsfestigkeit (DWV):	424 VDC
Temperature working range/ Umgebungstemperatur:	- 25 °C ... + 105 °C
Capacitance value/ Kapazitätswert:	180 pF ± 20 %
Mating cycles/ Steckzyklen:	Quality class 1 = 500 Gütestufe 1 Quality class 2 = 200 Gütestufe 2 Quality class 3 = 50 Gütestufe 3

**Materials/  
Werkstoffe:**

Contact/ Kontakt:	Cu alloy, Au over Ni Contact tails pretinned/ Kontaktspitzen verzinkt
Insulator/ Isolierkörper:	High temp. PA UL 94 V-0
Shells/ Gehäuse:	Steel, Sn over Ni
Metal bracket/ Metallwinkel:	GD-Zn, Sn over Ni
Threaded lock/ Gewindebolzen:	Cu alloy, Sn over Ni
Fixing plate/ Zentrierplatte:	High temp. PA UL 94 V-0

**Installation specification/  
Montagedaten:**

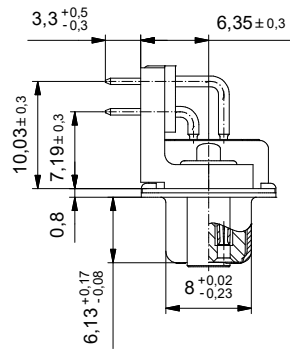
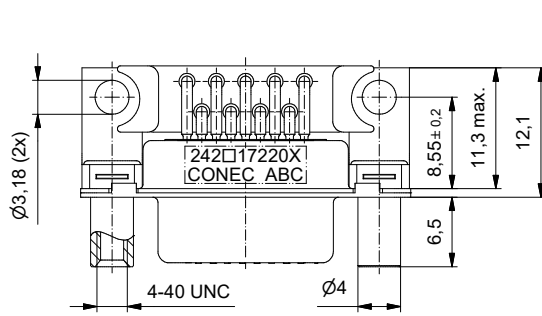
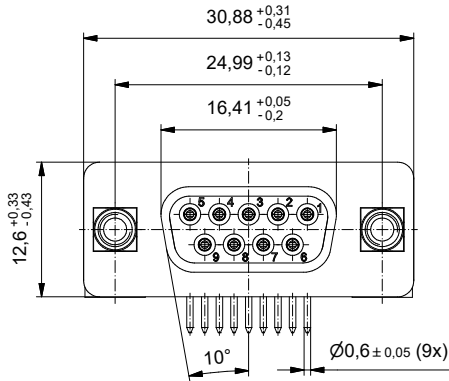
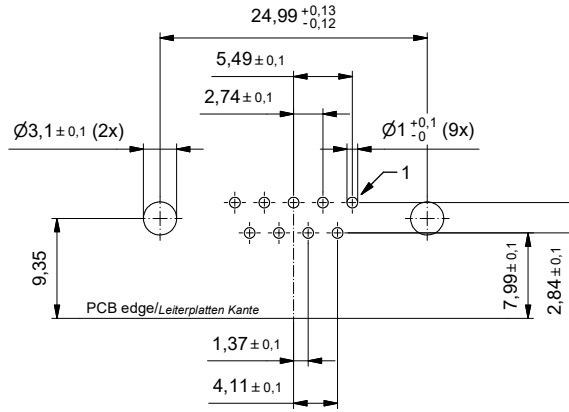
Solder parameter/ Lötparameter:	
Solder preheat temperature/ Vorheiztemperatur:	100 °C for 30 sec./ 100 °C für 30 Sek.
Solder bath temperature/ Lötbadtemperatur:	260 °C for 5 sec./ 260 °C für 5 Sek.
PCB hole drillings/ Leiterplattenbohrbild:	see sheet 2/ siehe Seite 2
Recommended torque value for thread/ Empfohlenes Drehmoment für Gewinde:	max. 6 in.LB/ max. 67 Ncm



Part no. / part marked/ Art.-Nr. / Bedruckung:	Quality class/ Gütestufe:	Contact plating/ Kontakt Veredelung:
242A17220X	3	Gold flash over nickel Gold über Nickel
242B17220X	2	20 µin hard gold over min. 50 µin nickel 20 µin Gold über min. 50 µin Nickel
242C17220X	1	30 µin hard gold over min. 50 µin nickel 30 µin Gold über min. 50 µin Nickel

		D-SUB C-Filter Female 9pos. Solder pin angled 0.318 inch with threaded lock, metal bracket and fixing-plate D-SUB C-Filter Buchse 9pol. Lötstift abgewinkelt 7.19 mm mit Gewindebolzen, Metallwinkel und Zentrierplatte	
drawn/ gez.	17.02.2020 Lehmenkühler		
		dwg no / Z.-nr.: 24K1A1930	
Index: a Original	scale/ Maßstab: 2:1		
Status: Freigegeben			
RoHS compliant/ konform		1 / 2	

This reproduction, distribution and utilization of this document as well as the communication of its contents to others without express authorization is prohibited. Offenders will be held liable for the payment of damages. For further information on our legal notices, please refer to our website: www.conec.com.

PCB hole drillings  
(PCB top side)  
Leiterplattenbohrbild  
(Leiterplatten Oberseite)



		 dim. in mm		D-SUB C-Filter Female 9pos. Solder pin angled 0.318 inch with threaded lock, metal bracket and fixing-plate D-SUB C-Filter Buchse 9pol. Lötstift abgewinkelt 7.19 mm mit Gewindebolzen, Metallwinkel und Zentrierplatte			
		Date/Datum	Name			dwg no / Z.-nr.: 24K1A1930	
		drawn/gez.	17.02.2020				
Index: a Original		appd./gepr.	17.02.2020	Schmidt	DIN-A3 2 / 2		
Status: Freigegeben		scale/Maßstab: 2:1					
RoHS compliant/konform							

This reproduction, distribution and utilization of this document as well as the communication of its contents to others without express authorization is prohibited. Offenders will be held liable for the payment of damages. For further information on other legal matters, please refer to our website: http://www.conec.com. In order to avoid any liability, please refer to our website: http://www.conec.com.

# Mouser Electronics

Authorized Distributor

Click to View Pricing, Inventory, Delivery & Lifecycle Information:

[CONEC:](#)

[242A17220X](#)