

Technical specification:

Rated voltage: 250 V
IEC 61076-2-101
Current rating: 4 A at 40°C
IEC 61076-2-101
Insulation resistance: >=100 MΩ
IEC 60512
Pollution degree: 3/2
IEC 60664-1
Degree of protection: IP 67, in mated condition
IEC 60529
Temperature range: -30°C ... +85°C
EN 60512-11-10
EN 60512-11-4
Mating cycles: >=100
IEC 60512-9a

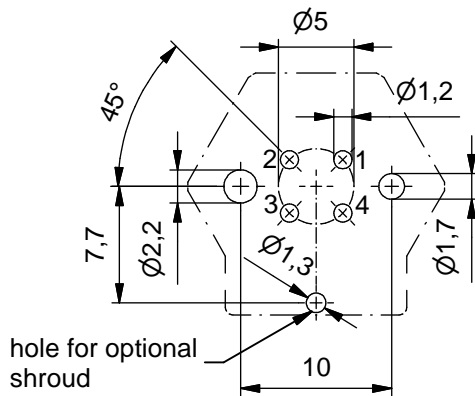
Materials:

Contact: CuZn, Ni b / Au 0,2 gal.
Contact carrier: PA 6.6, UL 94 V-0
Sealing: FPM
Socket housing: CuZn, nickel plated
Shroud: spring steel, nickel plated

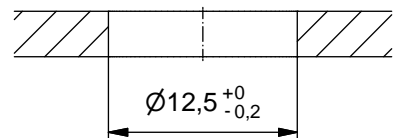
Installation specification:

recommended torque: 0,8-1 Nm
Conec installation tool: Torque wrench: 36-000200
Insert across flats 14: 36-000370
Insert across flats 15: 36-000320

Pin Layout PCB 1,60mm



feedthrough



Part no:	Description:	Pos	Note:
43-01219	SAL - 12B - FSH4 - X5,5	4	with shroud

DO NOT ALTER CAD DRAWING BY HAND RoHS & REACH compliant	Index: c 21.08.13 MG Ä4884 Data sheet revised, width across flats of the counter nut changed, installation specification added	
	general tolerance:	0 ± 0,50mm 0,0 ± 0,25mm 0,00 ± 0,10mm * ± 1,5°
	THIS DRAWING MAY NOT BE COPIED OR REPRODUCED IN ANY WAY, AND MAY NOT BE PASSED ON TO A THIRD PARTY WITHOUT WRITTEN PERMISSION. OWNERSHIP AND COPYRIGHT OF CONEC GmbH	
	CONEC®	

dim. in mm	
date	name
drawn 27.11.07	Fromm
appd. 18.02.08	W. Schmidt

title:	Male socket M12x1 axial, profibus DP, backmounting, dip solder, X5,5
dwg no:	43K1A533
part no:	

Mouser Electronics

Authorized Distributor

Click to View Pricing, Inventory, Delivery & Lifecycle Information:

[CONEC:](#)

[43-01219](#)