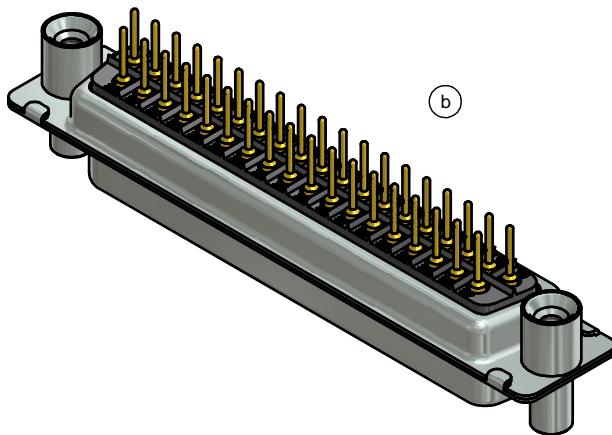
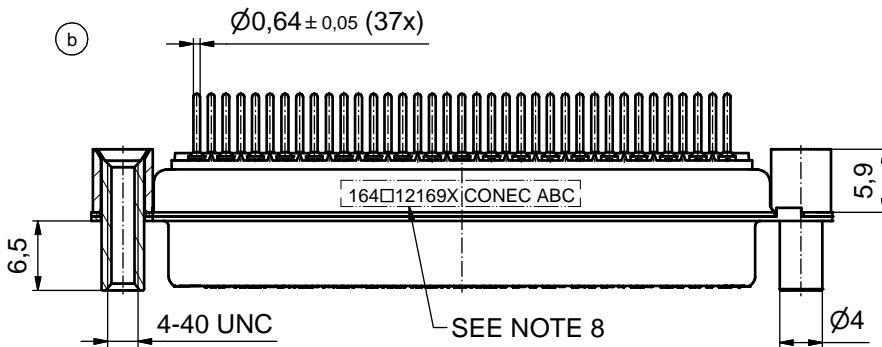
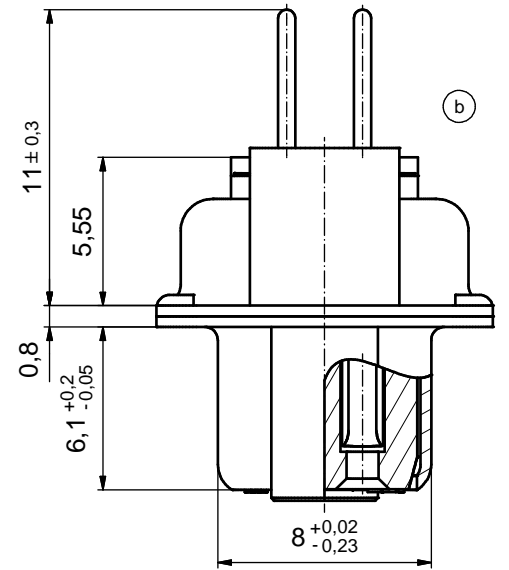
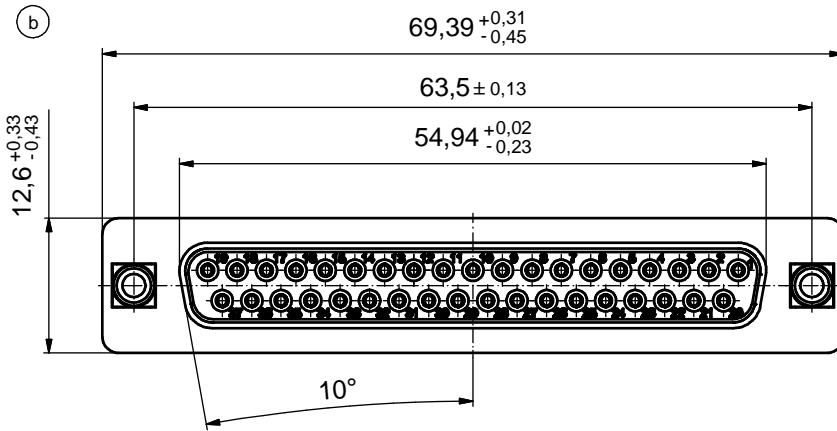


(5:1)



NOTES: (b)

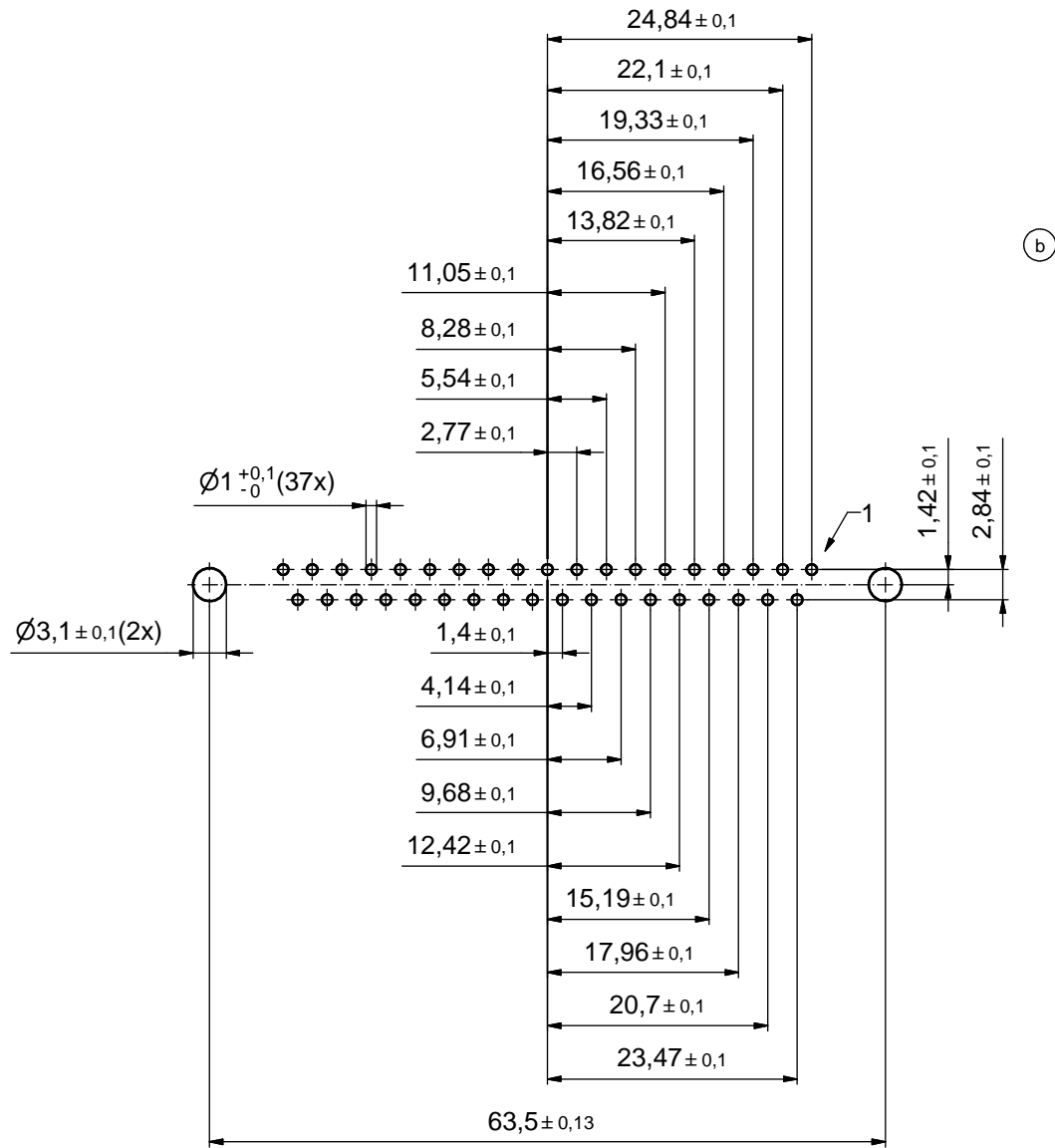
1. METALSHELLS: STEEL; min. 315µm TIN over 40-80µm NICKEL
2. INSULATORS: PBT GF UL 94 V-0, BLACK
3. CONTACTS: COPPER ALLOY; PLATING (SEE PART NO):
  - PLEASE ADD A for GOLD FLASH over NICKEL ( PREFERRED TYPE)
  - PLEASE ADD B for 20µm HARD GOLD over min. 50µm NICKEL
  - PLEASE ADD C for 30µm HARD GOLD over min. 50µm NICKEL
4. THREADED REAR SPACERS / FRONT THREADED LOCKS: COPPER ALLOY; min. 200µm TIN over 80µm NICKEL
5. SLEEVES: COPPER ALLOY; min. 200µm TIN over 80µm NICKEL
6. P.C.B. HOLE DRILLINGS ON SHEET 2
7. MAXIMUM TORQUE VALUE FOR THREAD: 6 in.LB
8. CONNECTOR IS PART MARKED: 164□12169X CONEC ABC

Directive 2002/95/EC RoHS compliant

THIS DRAWING MAY NOT BE COPIED OR REPRODUCED IN ANY WAY, AND MAY NOT BE PASSED ON TO A THIRD PARTY WITHOUT WRITTEN PERMISSION. OWNERSHIP AND COPYRIGHT OF CONEC GmbH  DO NOT ALTER CAD DRAWING BY HAND	tolerance		dim. in mm	scale:	2:1 (5:1)
				material:	see notes
	drawn	20.08.2014	Heinrich	title: <b>D-SUB FEMALE</b> 37pos. SOLDER PIN STRAIGHT with threaded rear spacer and front threaded lock	
	appd.	20.08.2014	Henneboel		
	norm				
d-old	16K1A270A/16K1A625		dwg no:		
8 x b	Ä 5305	20.08.2014	Heinrich	(b) 16K1A3501	DIN-A3
a	Original				sh: 1/2
rev.	description	date	name	part no: (b) 164□12169X	(see note 3)



P.C.B. HOLE DRILLINGS  
(P.C.B. TOP SIDE)



THIS DRAWING MAY NOT BE COPIED OR REPRODUCED IN ANY WAY, AND MAY NOT BE PASSED ON TO A THIRD PARTY WITHOUT WRITTEN PERMISSION. OWNERSHIP AND COPYRIGHT OF CONEC GmbH DO NOT ALTER CAD DRAWING BY HAND				tolerance		scale: 2:1
					dim. in mm	material: see sheet 1
				date	name	title: <b>P.C.B. HOLE DRILLINGS</b> D-SUB FEMALE 37pos. solder pin straight with threaded rear spacer and front threaded lock
				drawn 20.08.2014	Heinrich	
				appd. 20.08.2014	Henneboel	
			norm		dwg no:	DIN-A3
			d-old			sh: 2/2
	1 x b	Ä 5305	20.08.2014	Heinrich	<b>CONEC</b> <sup>®</sup>	16K1A3501
	a	Original				part no: see sheet 1
	rev.	description	date	name		

# Mouser Electronics

Authorized Distributor

Click to View Pricing, Inventory, Delivery & Lifecycle Information:

[CONEC:](#)

[164C12169X](#)