

**Technical specification/
Technische Daten:**

Working voltage/ Betriebsspannung:	125 V AC
Insulation resistance/ Isolationswiderstand:	$\geq 5 \text{ G}\Omega$
Dielectric withstanding voltage/ Spannungsfestigkeit:	1000 V, 50 Hz, 1 min.
Temperature range/ Temperaturbereich:	- 55 °C ... + 125 °C
Current rating/ Strombelastbarkeit:	7,5 A (UL) / 5 A (CSA, VDE)
Mating cycles/ Steckzyklen:	Quality class 1 = 500 Gütestufe 1 Quality class 2 = 200 Gütestufe 2 Quality class 3 = 50 Gütestufe 3

**Materials/
Werkstoffe:**

Contact/ Kontakt:	Cu alloy, Au over Ni
Insulator/ Isolierkörper:	PBT GF UL 94 V-0
Shell/ Gehäuse:	Steel, Sn over Ni
Metal bracket/ Metallwinkel:	GD-Zn, Cu / Ni / Sn
Threaded insert/ Gewindeeinsatz:	Cu alloy, Sn over Ni
Fixing plate/ Zentrierplatte:	PBT GF UL 94 V-0

**Installation specification/
Montagedaten:**

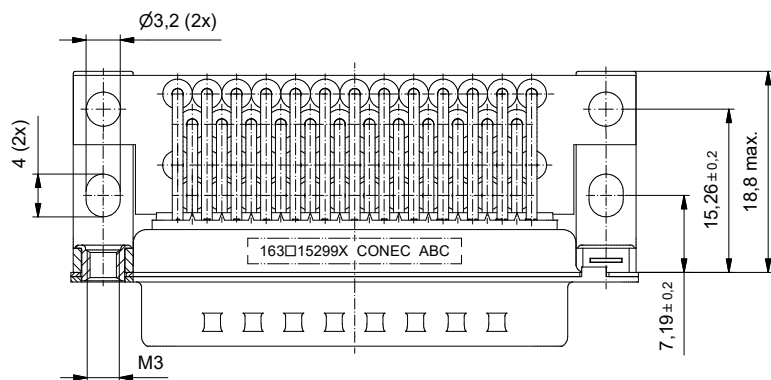
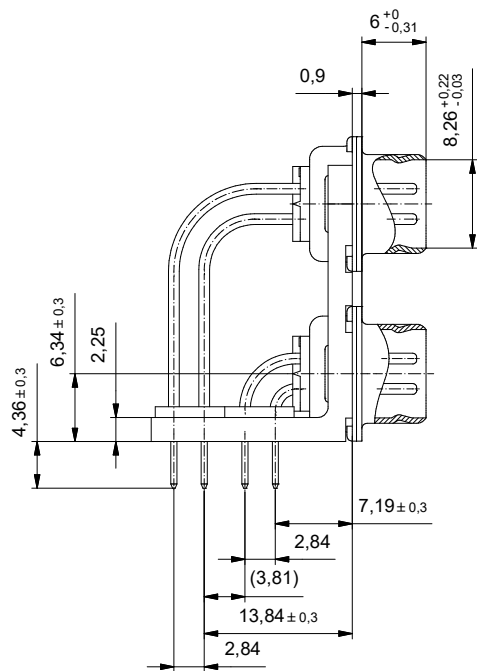
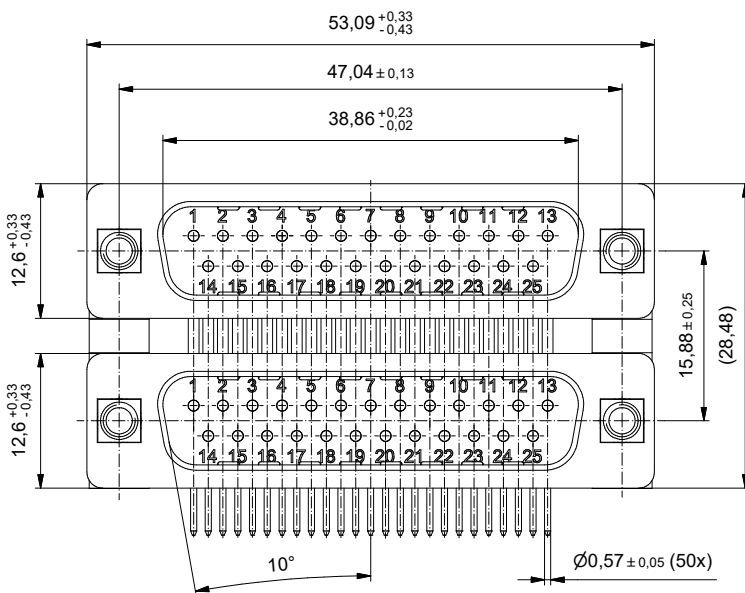
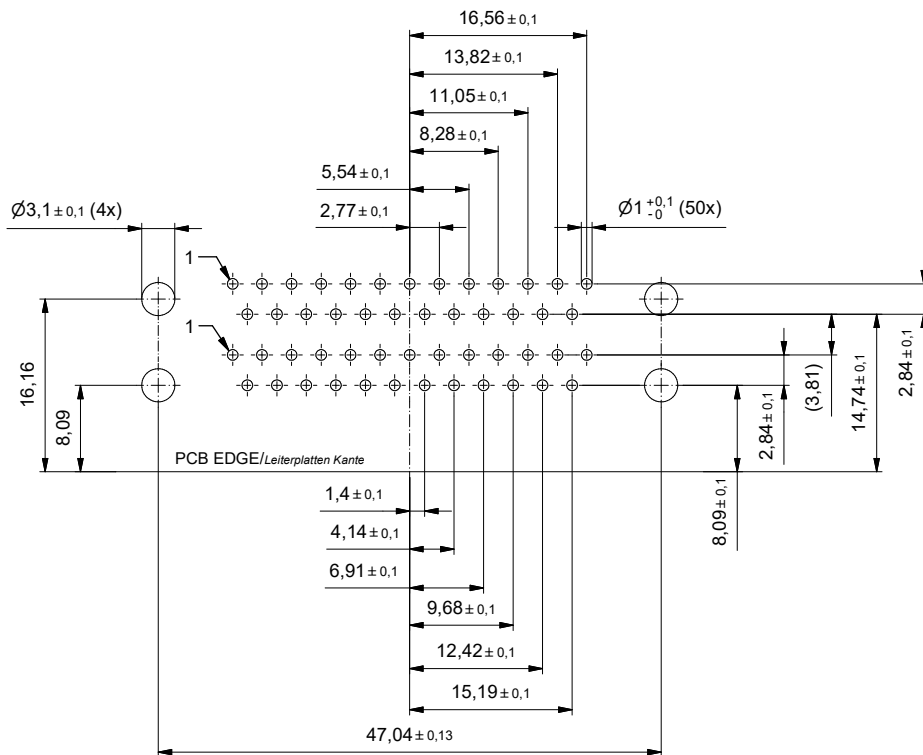
Recommended torque value for thread/ Empfohlenes Drehmoment für Gewinde:	max. 6 in.LB/ max. 67 Ncm
PCB hole drillings/ Leiterplattenbohrbild:	see sheet 2/ siehe Seite 2

Part no. / Part marked/ Art.-Nr. / Bedruckung:	Quality class/ Gütestufe:	Contact plating/ Kontakt Veredelung:
163A15299X	3	Gold flash over nickel Gold über Nickel
163B15299X	2	20 µm hard gold over min. 50 µm nickel 20 µm Gold über min. 50 µm Nickel
163C15299X	1	30 µm hard gold over min. 50 µm nickel 30 µm Gold über min. 50 µm Nickel

		D-SUB DUAL PORT 15.88mm 25pos. Male / 25pos. Male with threaded insert, metal bracket and fixing plate D-SUB DUAL PORT 15.88mm 25pol. Stift / 25pol. Stift mit Gewindeeinsatz, Metallwinkel und Zentrierplatte																			
Index: a Original	Scale/ Maßstab: 2:1	<table border="1"> <tr> <th>drawn/ gez.</th> <th>Date/ Datum</th> <th>Name</th> </tr> <tr> <td>22.10.2019</td> <td></td> <td>Lehmenkühler</td> </tr> <tr> <th>appd./ gepr.</th> <th></th> <th></th> </tr> <tr> <td>22.10.2019</td> <td></td> <td>Schmidt</td> </tr> </table>	drawn/ gez.	Date/ Datum	Name	22.10.2019		Lehmenkühler	appd./ gepr.			22.10.2019		Schmidt	<table border="1"> <tr> <td>dwg no / Z.-nr.:</td> <td>16K1A4178</td> <td>DIN- A3</td> </tr> <tr> <td></td> <td></td> <td>1 / 2</td> </tr> </table>	dwg no / Z.-nr.:	16K1A4178	DIN- A3			1 / 2
drawn/ gez.	Date/ Datum	Name																			
22.10.2019		Lehmenkühler																			
appd./ gepr.																					
22.10.2019		Schmidt																			
dwg no / Z.-nr.:	16K1A4178	DIN- A3																			
		1 / 2																			
Status: InBearbeitung																					
RoHS compliant/ konform																					

This reproduction, distribution and utilization of this document as well as the communication of its contents to others without express authorization is prohibited. Offenders will be held liable for the payment of damages. For further information on our legal notices, please refer to our website: www.conec.com.

PCB hole drillings
(PCB top side)
Leiterplattenbohrbild
(Leiterplatten Oberseite)



		dim. in mm		D-SUB DUAL PORT 15.88mm 25pos. Male / 25pos. Male with threaded insert, metal bracket and fixing plate	
		Date/Datum	Name	D-SUB DUAL PORT 15.88mm 25pol. Stift / 25pol. Stift mit Gewindeeinsatz, Metallwinkel und Zentrierplatte	
		drawn/gez.	22.10.2019	Lehmenkühler	
		appd./gepr.	22.10.2019	Schmidt	
Index:	a Original	scale/ Maßstab:	2:1	dwg no / Z.-nr.:	16K1A4178
Status:	InBearbeitung			DIN-A3	2 / 2
RoHS compliant/ konform					

This reproduction, distribution and utilization of this document as well as the communication of its contents to others without express authorization is prohibited. Offenders will be held liable for the payment of damages. For further information on our copyright policies please contact our legal department (Schmidbauer@conec.com).

Mouser Electronics

Authorized Distributor

Click to View Pricing, Inventory, Delivery & Lifecycle Information:

[CONEC:](#)

[163A15299X](#)