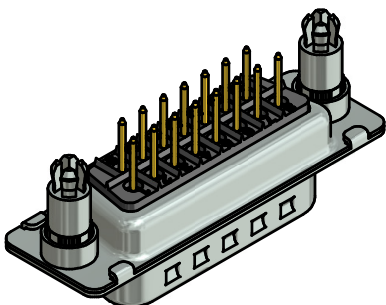


NOTES:

- METALSHELLS: STEEL; min. 315µm TIN over 40-80µm NICKEL
- INSULATORS: PBT GF UL 94 V-0, BLACK
- CONTACTS: COPPER ALLOY; PLATING (SEE PART NO.):
  - PLEASE ADD A for GOLD FLASH over NICKEL (PREFERRED TYPE)
  - PLEASE ADD B for 20µm HARD GOLD over min. 50µm NICKEL
  - PLEASE ADD C for 30µm HARD GOLD over min. 50µm NICKEL
  - PLEASE ADD J for 50µm HARD GOLD over min. 50µm NICKEL
- THREADED SPACER CLIPS:
  - COPPER ALLOY; min. 200µm TIN over 80µm NICKEL
  - PCB-HOLE:  $\phi 3.1 \pm 0,1$ ; PCB THICKNESS 1,6mm
- COLLARS: COPPER ALLOY; min. 200µm TIN over 80µm NICKEL
- MAXIMUM TORQUE VALUE FOR THREAD: 6 in.LB
- CONNECTOR IS PART MARKED: 163□16169X CONEC ABC (see note 3)



Directive 2002/95/EC RoHS compliant

THIS DRAWING MAY NOT BE COPIED OR REPRODUCED IN ANY WAY, AND MAY NOT BE PASSED ON TO A THIRD PARTY WITHOUT WRITTEN PERMISSION. OWNERSHIP AND COPYRIGHT OF CONEC GmbH DO NOT ALTER CAD DRAWING BY HAND				tolerance		dim. in mm	scale: 2:1 (5:1)	
				date			material: SEE NOTES	
		name		title:		D-SUB MALE 15pos. SOLDER PIN STRAIGHT with threaded spacer clip		
drawn		08.01.13 Henneboel		dwg no:				
appd.		09.01.13 Fischer		DIN-A3				
norm				sh: 1				
d-old		16K1A1045/16K1A1201/16K1A681		part no: (b) 163□16169X (see note 3)				
4 x b		A4593 08.01.2013 K.H.						
a		Original						
rev.		description date name						

# Mouser Electronics

Authorized Distributor

Click to View Pricing, Inventory, Delivery & Lifecycle Information:

[CONEC:](#)

[163C16169X](#)