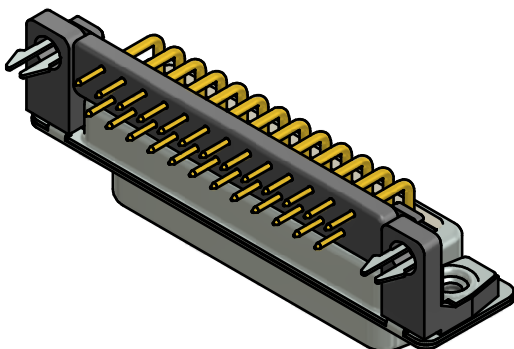


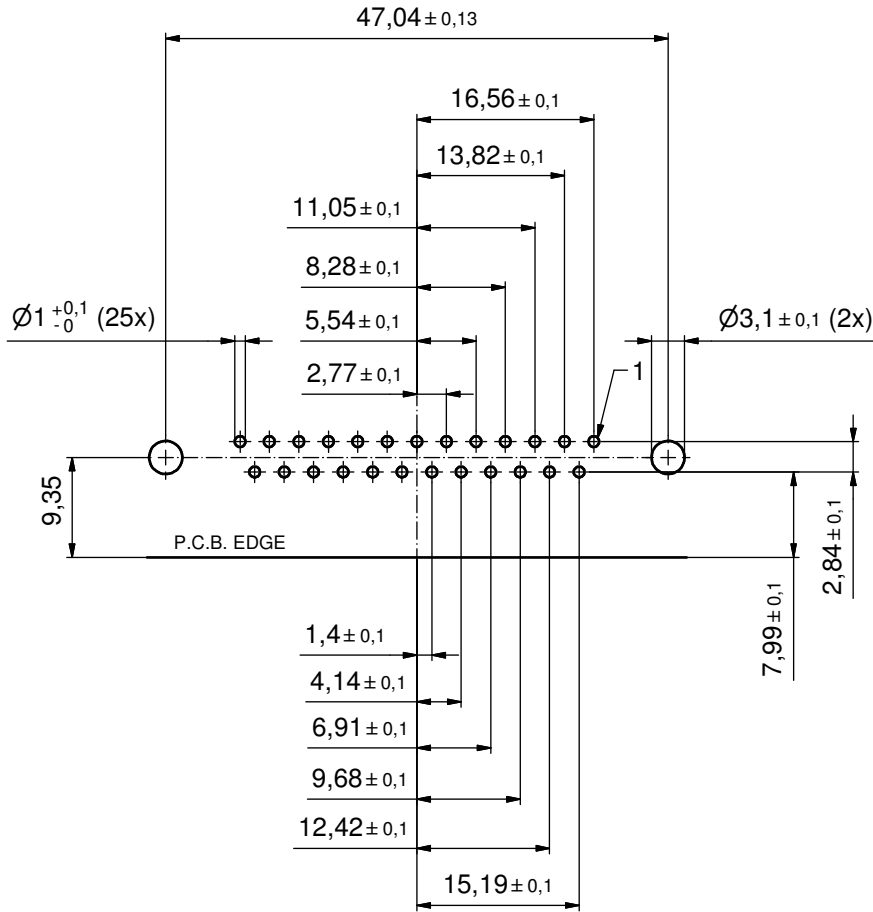
**NOTES:**

1. RoHS COMPLIANT
2. FOR WAVESOLDERING (SOLDER BATH TEMPERATURE 260°C FOR 5SEC. AND SOLDER PREHEAT 100°C FOR 30SEC.)
3. METALSHELLS: STEEL; min. 315µin TIN over 40-80µin NICKEL
4. INSULATOR: HIGH TEMPERATURE PLASTIC UL 94 V-0; BLACK
5. CONTACTS: COPPER ALLOY  
PLATING: GOLD FLASH over NICKEL
6. MOUNTING BRACKETS: HIGH TEMPERATURE PLASTIC UL 94 V-0; BLACK
7. THREADED INSERTS: COPPER ALLOY; min. 200µin TIN over 80µin NICKEL
8. GROUNDING-CLIPS: COPPER ALLOY; PCB-HOLE:  $\varnothing 3,1 \pm 0,1$ ; PCB THICKNESS 1,6mm
9. FIXING PLATE: HIGH TEMPERATURE PLASTIC UL 94 V-0; BLACK
10. CAPACITANCE: 370pF  $\pm 20\%$
11. P.C.B. HOLE DRILLINGS ON SHEET 2
12. DIELECTRIC WITHSTANDING VOLTAGE: 424 VDC
13. MAXIMUM TORQUE VALUE FOR THREAD: 6 in.LB
14. CONNECTOR IS PART MARKED: 242A28400X CONEC ABC



Directive 2002/95/EC RoHS compliant

THIS DRAWING MAY NOT BE COPIED OR REPRODUCED IN ANY WAY, AND MAY NOT BE PASSED ON TO A THIRD PARTY WITHOUT WRITTEN PERMISSION. OWNERSHIP AND COPYRIGHT OF CONEC GmbH DO NOT ALTER CAD DRAWING BY HAND	tolerance		dim. in mm	scale: 2:1 (5:1)		
				material: SEE NOTES		
	date	name		title: <b>D-SUB FILTER FEMALE</b> 25pos. SOLDER PIN ANGLED 0.318inch with threaded insert, mountig bracket, grounding clip		
	drawn 09.12.10	Henneboel				
appd. 09.12.10	Fischer		dwg no: 24K1A1286			
norm			DIN-A3			
d-old			sh: 1			
a	Origin			part no: 242A28400X		
rev.	description			date	name	



**P.C.B. HOLE DRILLINGS**  
(P.C.B. TOP SIDE)

THIS DRAWING MAY NOT BE COPIED OR REPRODUCED IN ANY WAY, AND MAY NOT BE PASSED ON TO A THIRD PARTY WITHOUT WRITTEN PERMISSION. OWNERSHIP AND COPYRIGHT OF CONEC GmbH DO NOT ALTER CAD DRAWING BY HAND				tolerance	 dim. in mm	scale: 2:1	
				date		name	material: SEE SHEET 1
				drawn	09.12.10	Henneboel	<b>title:</b> <b>P.C.B. HOLE DRILLINGS</b> D-SUB FILTER FEMALE 90°, 25pos. 0.318inch with threaded insert, metal bracket and snap
				appd.	09.12.10	Fischer	
				norm			
			d-old			dwg no:	
a	Origin					24K1A1286	DIN-A3 sh: 2
rev.	description	date				name	part no:

# Mouser Electronics

Authorized Distributor

Click to View Pricing, Inventory, Delivery & Lifecycle Information:

[CONEC:](#)

[242A28400X](#)