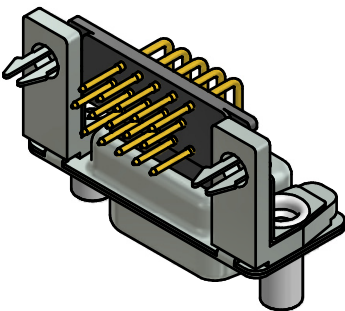
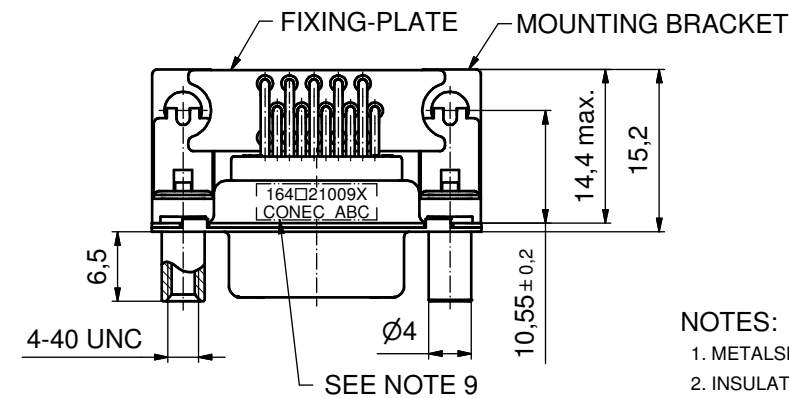
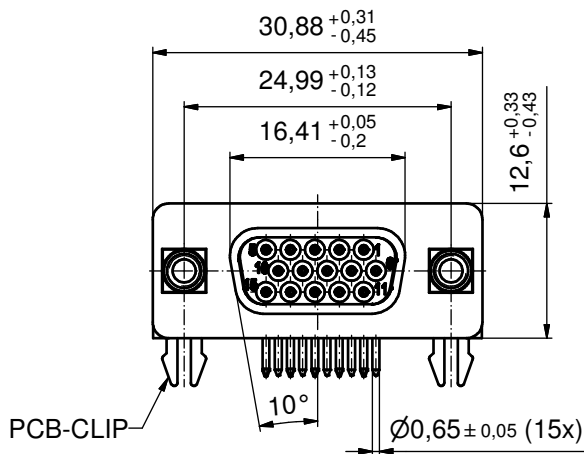
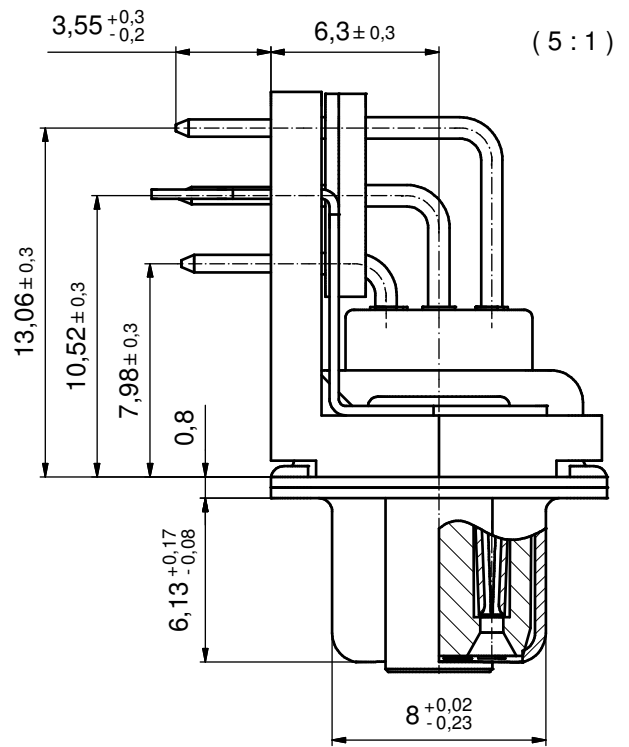


P.C.B. HOLE DRILLINGS
(P.C.B. TOP SIDE)



NOTES: (b)

- METALSHELLS: STEEL; min. 315µin TIN over 40-80µin NICKEL
- INSULATORS: PBT GF UL 94 V-0, BLACK
- CONTACTS: COPPER ALLOY; PLATING (SEE PART NO.):
 - PLEASE ADD A for GOLD FLASH over NICKEL (PREFERRED TYPE)
 - PLEASE ADD B for 20µin HARD GOLD over min. 50µin NICKEL
 - PLEASE ADD C for 30µin HARD GOLD over min. 50µin NICKEL
 - PLEASE ADD J for 50µin HARD GOLD over min. 50µin NICKEL
- MOUNTING BRACKETS: PBT GF UL 94 V-0; BLACK
- THREADED LOCKS: COPPER ALLOY; min. 200µin TIN over 80µin NICKEL
- GROUNDING CLIPS: COPPER ALLOY; min. 200µin TIN over 80µin NICKEL
PCB-HOLE: $\varnothing 3,1 \pm 0,1$ mm; PCB-THICKNESS: 1,6mm
- FIXING PLATE: PBT GF UL 94 V-0; BLACK
- MAXIMUM TORQUE VALUE FOR THREAD: 6 in.LB
- CONNECTOR IS PART MARKED: 164□21009X CONEC ABC (see note 3)

RoHS compliant

THIS DRAWING MAY NOT BE COPIED OR REPRODUCED IN ANY WAY, AND MAY NOT BE PASSED ON TO A THIRD PARTY WITHOUT WRITTEN PERMISSION. OWNERSHIP AND COPYRIGHT OF CONEC GmbH DO NOT ALTER CAD DRAWING BY HAND				tolerance		dim. in mm	scale: 2:1 (5:1)	
				date			material: SEE NOTES	
				drawn	08.01.15	Henneboel		title: D-SUB HD FEMALE 90° 15pos. SOLDER PIN ANGLED 0.350inch thread lock, mounting bracket and grounding clip
				appd.	08.01.15	Lehmenkühler		
				norm			dwg no:	
				d-old	16K2A2066			
4 x b	Ä5482	08.01.2015	K.H.	CONEC®				DIN-A3
a	Original							(b) 16K1A3571
rev.	description	date	name	part no: (b) 164□21009X (see note 3)				

Mouser Electronics

Authorized Distributor

Click to View Pricing, Inventory, Delivery & Lifecycle Information:

[CONEC:](#)

[164C21009X](#)