

Technical specification:

Rated voltage: IEC 61076-2-104	30 V
Current rating: IEC 61076-2-104	3 A at 40°C
Insulation resistance: IEC 60512	>=100 MΩ
Pollution degree: IEC 60664-1	3/2
Degree of protection: DIN 40050-9	IP 69K, in mated condition
Temperature range: IEC 60664-1	-30°C ... +85°C (temporary till +105°C)
Mating cycles: IEC 60512-9a	>=100

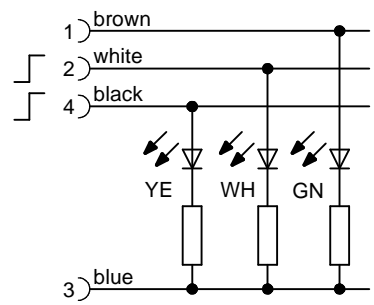
Materials:

Contact:	CuZn
Contact plating:	Nickel, gold plated
Contact carrier:	Thermoplastic GF, UL 94
Sealing:	FPM
Coupling nut:	1.4404 stainless steel
Moulding body:	Thermoplastic elastomere, translucent

Installation specification:

Recommended torque:	0,4 Nm
Conec installation tool:	Torque wrench: 36-000200 Insert across flats 9: 36-000210

Contact assignment:



Part no:	Description:	Length L:	Cable:
42-10504	SAL - FB - 8 - RKW4 - 3L - 2 / P1	2m	PP, orange, 4x0,25mm ² Cable: 781-P12400
42-10505	SAL - FB - 8 - RKW4 - 3L - 3 / P1	3m	
42-10506	SAL - FB - 8 - RKW4 - 3L - 5 / P1	5m	
42-10507	SAL - FB - 8 - RKW4 - 3L - 10 / P1	10m	
42-xxxxx	SAL - FB - 8 - RKW4 - 3L - ... / P1	x	

D see data sheet cable

DO NOT ALTER CAD DRAWING BY HAND Directive 2002/95/EC RoHS compliant	Index: a 30.03.11 VF Ä3909 technical specification changed, part no. cable in table added, data sheet modified	dim. in mm	title: Female connector M8x1 angled with LED, FB						
	tolerance of cable: L ≤ 4m: L + 40mm L > 4m: L + 1%	<table border="1" style="width:100%; border-collapse: collapse;"> <tr> <td style="width: 20px;">date</td> <td style="width: 20px;">name</td> </tr> <tr> <td>drawn 16.10.08</td> <td>Mankopf</td> </tr> <tr> <td>appd. 16.10.08</td> <td>Fromm</td> </tr> </table>		date	name	drawn 16.10.08	Mankopf	appd. 16.10.08	Fromm
	date	name							
	drawn 16.10.08	Mankopf							
appd. 16.10.08	Fromm								
general tolerance: 0 ± 0,50mm 0,0 ± 0,25mm 0,00 ± 0,10mm		part no: see table							
THIS DRAWING MAY NOT BE COPIED OR REPRODUCED IN ANY WAY, AND MAY NOT BE PASSED ON TO A THIRD PARTY WITHOUT WRITTEN PERMISSION. OWNERSHIP AND COPYRIGHT OF CONEC GmbH									

Mouser Electronics

Authorized Distributor

Click to View Pricing, Inventory, Delivery & Lifecycle Information:

[CONEC:](#)

[42-10507](#)