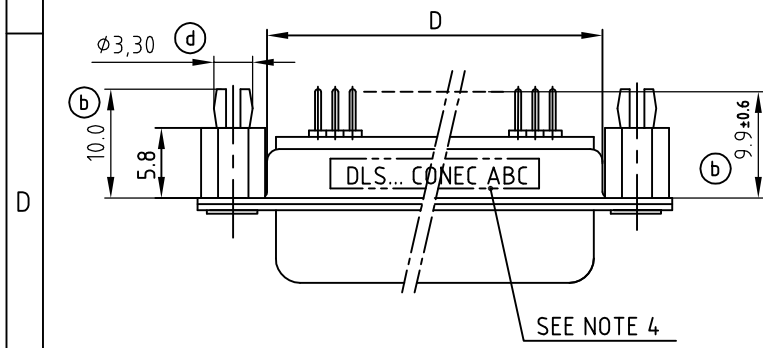


RECOMMENDED P.C.B. LAYOUT (TOP VIEW)  
TOLERANCES: ±0.05mm



SEE NOTE 4

(b) SPECIFICATION

1. MATERIAL:
  - INSULATOR: THERMAL PLASTIC UL 94 V-0
  - CONTACTS: COPPER ALLOY
  - SHELL: STEEL
  - RIVET, BOARDLOCK: COPPER ALLOY
2. CONTACT PLATING:
  - UNDERPLATE: 50µin NICKEL
  - CONTACT AREA: GOLD FLASH
  - SOLDER TAILS AREA: GOLD FLASH
3. ELECTRICAL:
  - OPERATION VOLTAGE: 250 VAC max.
  - CURRENT RATING: 3A max.
  - CONTACT RESISTANCE: 15 mOhm max.
  - INSULATION RESISTANCE: 3000 MOhm min. @ 500 VDC
  - DIELECTRIC WITHSTANDING VOLTAGE: 1000 VAC / MINUTE
  - OPERATING TEMPERATURE: -55°C TO +105°C
4. CONNECTOR IS PART MARKED: DLS.XS4AA35X CONEC ABC

(c)

Part NO.	POS.	A	B-0.25	C	D
DLS1XS4AA35X	9	30.80	16.46	25.00 <sup>+0.12</sup> <sub>-0.0</sub>	19.20
DLS2XS4AA35X	15	39.20	24.79	33.30 <sup>+0.15</sup> <sub>-0.10</sub>	27.70
DLS3XS4AA35X	25	53.10	38.50	47.04 <sup>+0.13</sup>	41.10
DLS4XS4AA35X	37	69.40	54.96	63.50 <sup>+0.13</sup>	57.30

THIS DRAWING MAY NOT BE COPIED OR REPRODUCED IN ANY WAY, AND MAY NOT BE PASSED ON TO A THIRD PARTY WITHOUT WRITTEN PERMISSION.  
 OWNERSHIP AND COPYRIGHT OF CONEC GmbH  
 DO NOT ALTER CAD DRAWING BY HAND

tolerance		dim. in mm	
(b)	ANG. ±5°	0. ±0.5	0.0 ±0.3
	0.0 ±0.2		
2005	date	name	
drawn	06.10.	Lehmenkühler	
appd.	06.10.	Mickenbecker	
1 x d	Ä5116	03.03.2014	K.H.
5 x c	Ä5105	20.02.2014	K.H.
5 x b	Ä5062	27.01.2014	K.H.
a	Original		
rev.	description	date	name



scale:	2:1
material:	SEE NOTES
title:	D-SUB FEMALE 9-37pos. PCB STRAIGHT STAMPED CONTACTS with 5.8mm snap-in rivet
dwg no:	AutoCAD
	DIN-A 4
part no:	SEE TABLE
	sh: 1

4

3

2

1

# Mouser Electronics

Authorized Distributor

Click to View Pricing, Inventory, Delivery & Lifecycle Information:

[CONEC:](#)

[DLS4XS4AA35X](#)