

NOTES:

1. METALSHELLS: STEEL; 315µin-470µin ZINC; YELLOW CHROMATE
2. INSULATORS: PBT GF UL 94 V-0, GREEN
3. SIGNAL CONTACTS: COPPER ALLOY
PLATING: 30µin HARD GOLD over min. 50µin NICKEL
4. HIGH POWER CONTACTS 30A: COPPER ALLOY
PLATING MATING AREA: 30µin HARD GOLD over min. 50µin NICKEL
PLATING TERMINATION SIDE: 160-240µin TIN over 80µin NICKEL
PREMATING CONTACT ON POS. A3
- ⑤ 5. METAL BRACKET: ZINC DIE CAST; YELLOW CHROMATE
6. THREADED INSERT: COPPER ALLOY; min. 200µin TIN over 80µin NICKEL
7. MAXIMUM TORQUE VALUE FOR THREAD: 6 in.LB
8. CONNECTOR IS PART MARKED: 13-501541 CONEC ABC

APPROVAL # FREIGABE # DEBLOCAGE # AUTORIZACION # APPROVAL

CUSTOMER APPROVAL DATE:

NAME: TITLE:

COMPANY NAME:

APPROVAL # FREIGABE # DEBLOCAGE # AUTORIZACION # APPROVAL

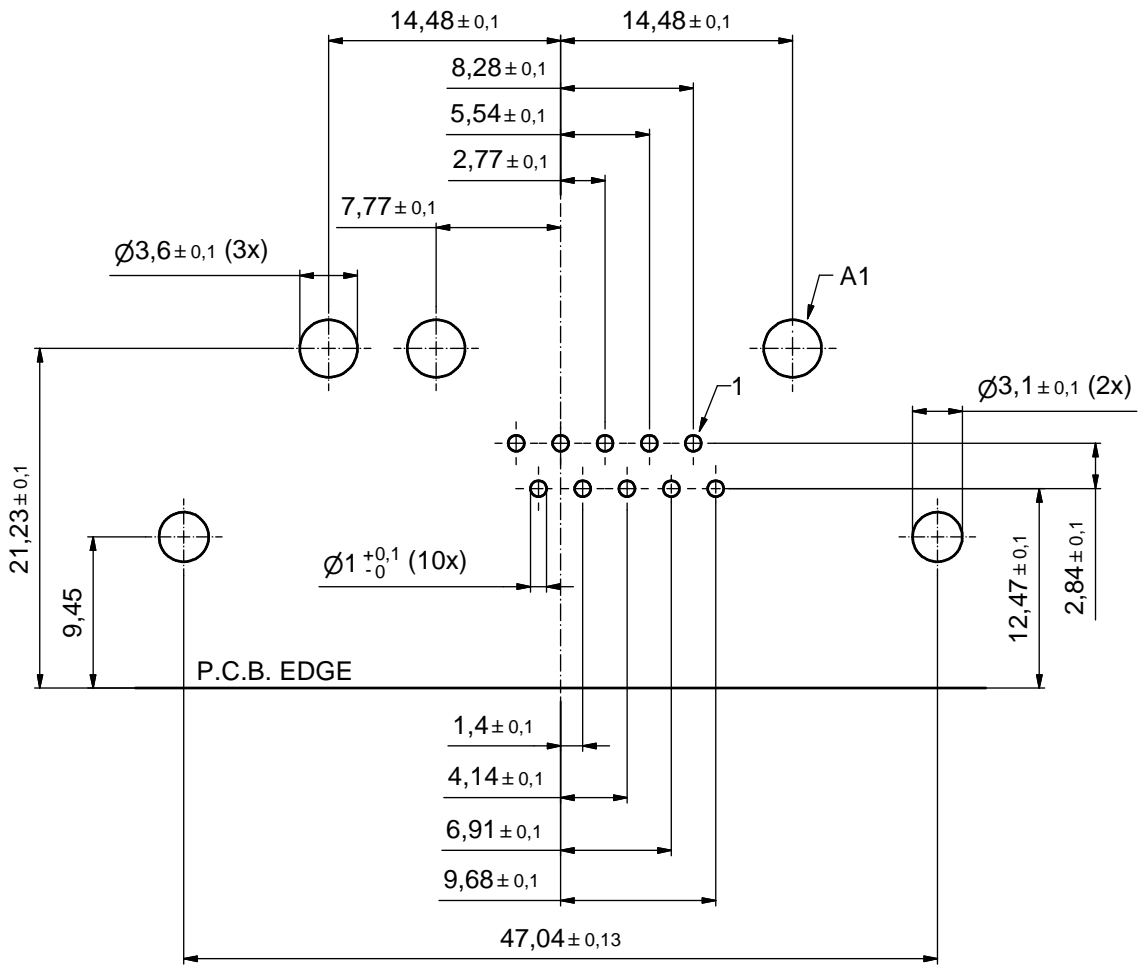
THIS DRAWING MAY NOT BE COPIED OR REPRODUCED IN ANY WAY, AND MAY NOT BE PASSED ON TO A THIRD PARTY WITHOUT WRITTEN PERMISSION. OWNERSHIP AND COPYRIGHT OF CONEC GmbH

DO NOT ALTER CAD DRAWING BY HAND

rev.	description	date	name	tolerance	dim. in mm
1 x e	Ä 3210	05.12.2008	Sonne		
1 x d	Ä 3196	25.11.2008	Lehm.	norm	
2 x c	Ä 3192	21.11.2008	Lehm.	d-old	
3 x b	Ä 3188	19.11.2008	Lehm.		
a	Origin				

scale:	2:1 (5:1)	
material:	SEE NOTES	
title:	D-SUB COMBINATION MALE 90° 13W3P with threaded insert and metal bracket	
dwg no:	Inventor 10	DIN-A3
	13K1A2681	sh: 1
part no:	13-501541	





APPROVAL # FREIGABE # DEBLOCAGE # AUTORIZACION # APPROVAL	
CUSTOMER APPROVAL DATE:	
NAME:	TITLE:
COMPANY NAME:	
APPROVAL # FREIGABE # DEBLOCAGE # AUTORIZACION # APPROVAL	

THIS DRAWING MAY NOT BE COPIED OR REPRODUCED IN ANY WAY AND MAY NOT BE PASSED ON TO A THIRD PARTY WITHOUT WRITTEN PERMISSION. OWNERSHIP AND COPYRIGHT OF CONEC GmbH				tolerance		 dim. in mm
DO NOT ALTER CAD DRAWING BY HAND				date	name	
rev.	description	date	name	drawn	17.11.2008	Lehmenkühler
a	Origin			appd.	17.11.2008	Mickenbecker
				norm		
				d-old		

scale:	3:1	
material:	SEE SHEET 1	
title:	P.C.B. HOLE DRILLINGS D-SUB COMBINATION MALE 13W3P with threaded insert and metal bracket	
dwg no:	Inventor 10	DIN-A3
	13K1A2681	sh: 2
part no:	SEE SHEET 1	



Mouser Electronics

Authorized Distributor

Click to View Pricing, Inventory, Delivery & Lifecycle Information:

[CONEC:](#)

[13-501541](#)