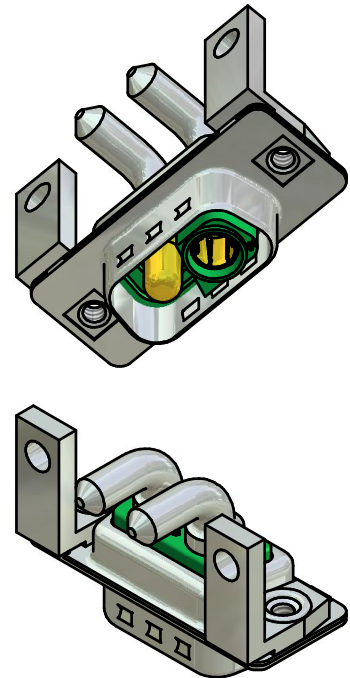
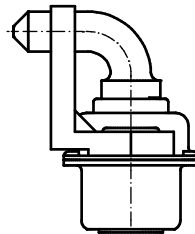
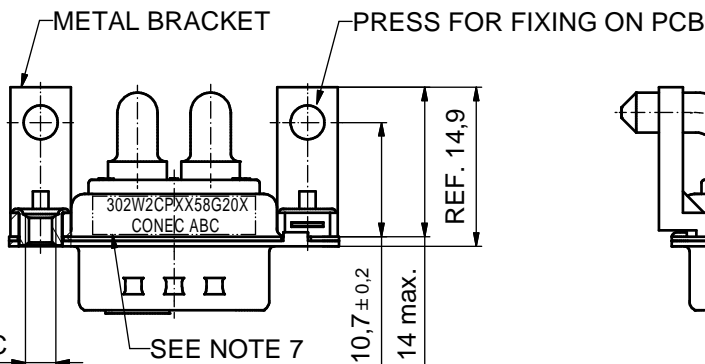
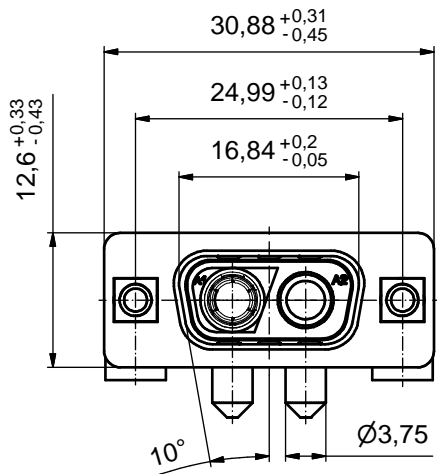
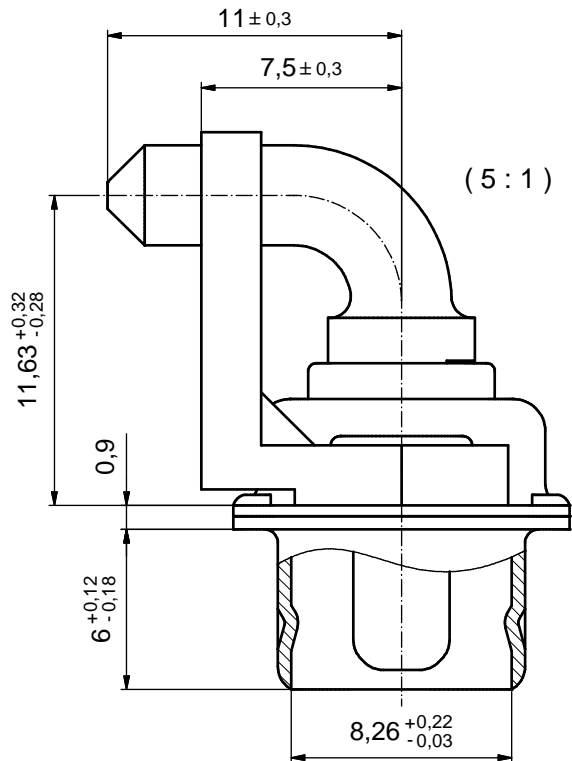


P.C.B. HOLE DRILLINGS



NOTES:

- METAL SHELLS: STEEL; min. 315µm TIN over 40-80µm NICKEL
- INSULATORS: PBT GF UL 94 V-0; GREEN
- HIGH POWER CONTACTS 40A: COPPER ALLOY
PLATING MATING AREA: 30µm HARD GOLD over min. 50µm NICKEL
PLATING TERMINATION SIDE: 200-280µm TIN over 80µm NICKEL
FEMALE CONTACT ON POS. A1, MALE CONTACT ON POS. A2
- METAL BRACKET: ZINC DIE CAST; 300µm COPPER/ 40-120µm NICKEL/ 120-200µm TIN
- THREADED INSERT: COPPER ALLOY; min. 200µm TIN over 80µm NICKEL
- MAXIMUM TORQUE VALUE FOR THREAD: 6 in.LB
- CONNECTOR IS PART MARKED: 302W2CPXX58G20X CONEC ABC

Directive 2002/95/EC
RoHS
Compliant

APPROVAL # FREIGABE # DEBLOCAGE # AUTORIZACION # APPROVAL	
CUSTOMER APPROVAL DATE:	
NAME:	TITLE:
COMPANY NAME:	
APPROVAL # FREIGABE # DEBLOCAGE # AUTORIZACION # APPROVAL	

THIS DRAWING MAY NOT BE COPIED OR REPRODUCED IN ANY WAY AND MAY NOT BE PASSED ON TO A THIRD PARTY WITHOUT WRITTEN PERMISSION. OWNERSHIP AND COPYRIGHT OF CONEC GmbH				DO NOT ALTER CAD DRAWING BY HAND	
finish:	tolerance	dim. in mm		scale: 2:1 (5:1)	
		date	name	material: SEE NOTES	
		drawn: 28.01.09	Sonnenberg	title: D-SUB COMBINATION MALE 90°	
		appd.: 28.01.09	Koch	2W2CP	
		norm		with threaded insert and metal bracket	
		d-old		dwg no: Inventor 10	DIN-A3
a	Origin	CONEC		13K1A2751	sh: 1
rev.	description			date	name

Mouser Electronics

Authorized Distributor

Click to View Pricing, Inventory, Delivery & Lifecycle Information:

[CONEC:](#)

[302W2CPXX58N40A](#)