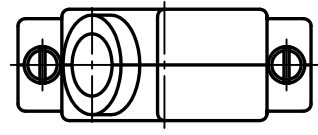
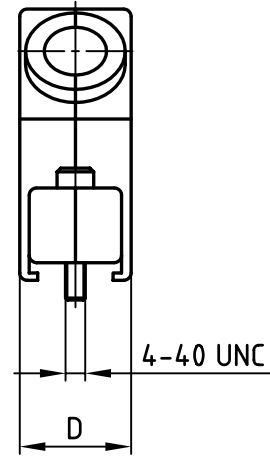
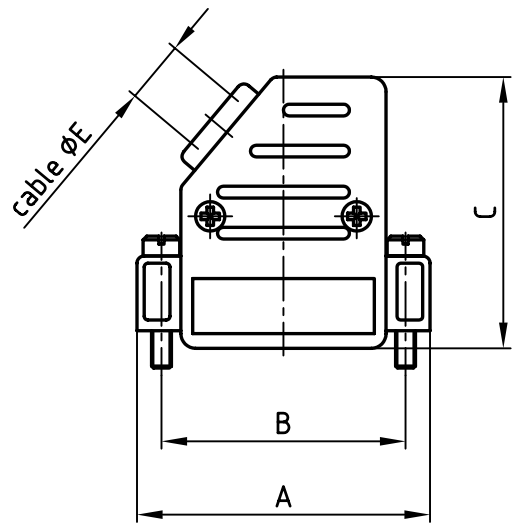


used for: D-SUB



No. of pos.	A	B	C	D	ØE	Part No.
9	31.5	25.0	37.0	15.2	8.5	600X56009X
15	40.0	33.3	37.0	15.2	8.5	600X56015X
25	53.5	47.0	41.0	15.2	11.0	600X56025X
37	70.0	63.5	41.0	15.2	11.0	600X56037X
50	67.8	61.1	41.0	18.2	12.0	600X56050X

Directive 2002/95/EC  
"RoHS"  
Compliant

APPROVAL # FREIGABE # DEBLOCAGE # AUTORIZACION # APPROVAL

CUSTOMER APPROVAL DATE:

NAME: TITLE:

COMPANY NAME:

APPROVAL # FREIGABE # DEBLOCAGE # AUTORIZACION # APPROVAL

**NOTES:**  
1. HOOD: ABS UL 94 V-0; METALLIZED  
2. SCREWS: BRASS; NICKEL PLATED

THIS DRAWING MAY NOT BE COPIED OR REPRODUCED IN ANY WAY, AND MAY NOT BE PASSED ON TO A THIRD PARTY WITHOUT WRITTEN PERMISSION. OWNERSHIP AND COPYRIGHT OF CONEC GmbH DO NOT ALTER CAD DRAWING BY HAND

tolerance		dim. in mm	
2004	date	name	
drawn	30.11.	Lehmenkühler	
appd.	30.11.	Mickenbecker	
norm			
d-old			
rev.	description	date	name



scale:	1:1	
material:	SEE NOTES	
title:	<b>PLASTIC HOOD</b> 9-50pos. WITH SIDE CABLE EXIT with short screws	
dwg no:	AutoCAD 2004	DIN-A
	16K1A1291	4
part no:	SEE TABLE	
		sh: 1/1

# Mouser Electronics

Authorized Distributor

Click to View Pricing, Inventory, Delivery & Lifecycle Information:

[CONEC:](#)

[600X56050X](#)