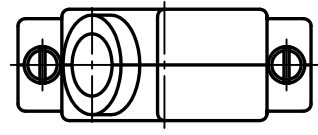
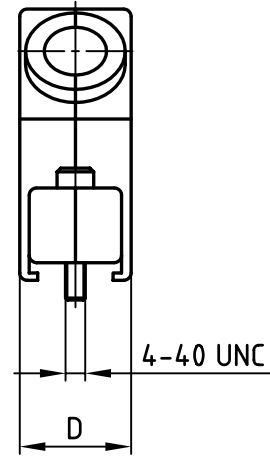
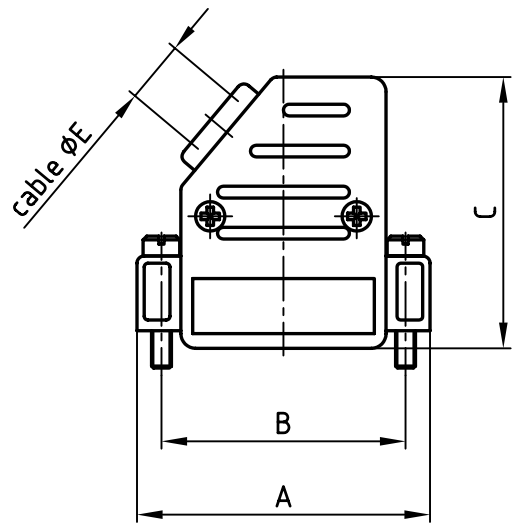


used for: D-SUB



No. of pos.	A	B	C	D	ϕE	Part No.
9	31.5	25.0	37.0	15.2	8.5	600X56009X
15	40.0	33.3	37.0	15.2	8.5	600X56015X
25	53.5	47.0	41.0	15.2	11.0	600X56025X
37	70.0	63.5	41.0	15.2	11.0	600X56037X
50	67.8	61.1	41.0	18.2	12.0	600X56050X

Directive 2002/95/EC
"RoHS"
Compliant

APPROVAL # FREIGABE # DEBLOCAGE # AUTORIZACION # APPROVAL

CUSTOMER APPROVAL DATE:

NAME: TITLE:

COMPANY NAME:

APPROVAL # FREIGABE # DEBLOCAGE # AUTORIZACION # APPROVAL

NOTES:
1. HOOD: ABS UL 94 V-0; METALLIZED
2. SCREWS: BRASS; NICKEL PLATED

THIS DRAWING MAY NOT BE COPIED OR REPRODUCED IN ANY WAY, AND MAY NOT BE PASSED ON TO A THIRD PARTY WITHOUT WRITTEN PERMISSION.
OWNERSHIP AND COPYRIGHT OF CONEC GmbH
DO NOT ALTER CAD DRAWING BY HAND

rev.	description	date	name



tolerance	scale: 1:1
dim. in mm	material: SEE NOTES
2004 date name	title: PLASTIC HOOD 9-50pos. WITH SIDE CABLE EXIT with short screws
drawn 30.11. Lehmenkühler	
appd. 30.11. Mickenbecker	
norm	
d-old	dwg no: AutoCAD 2004 DIN-A
	16K1A1291 4
	sh: 1/1
	part no: SEE TABLE

Mouser Electronics

Authorized Distributor

Click to View Pricing, Inventory, Delivery & Lifecycle Information:

[CONEC:](#)

[600X56037X](#)