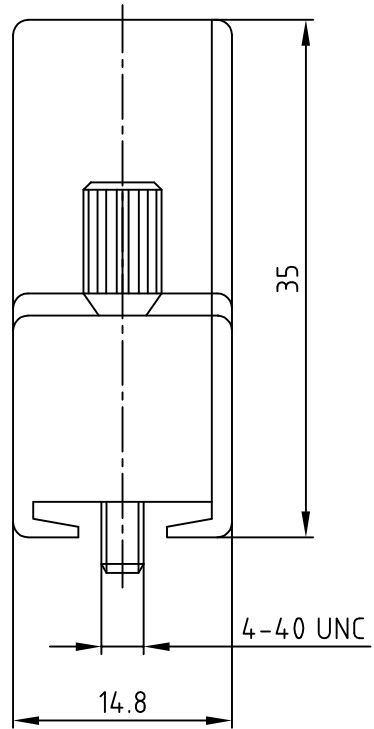
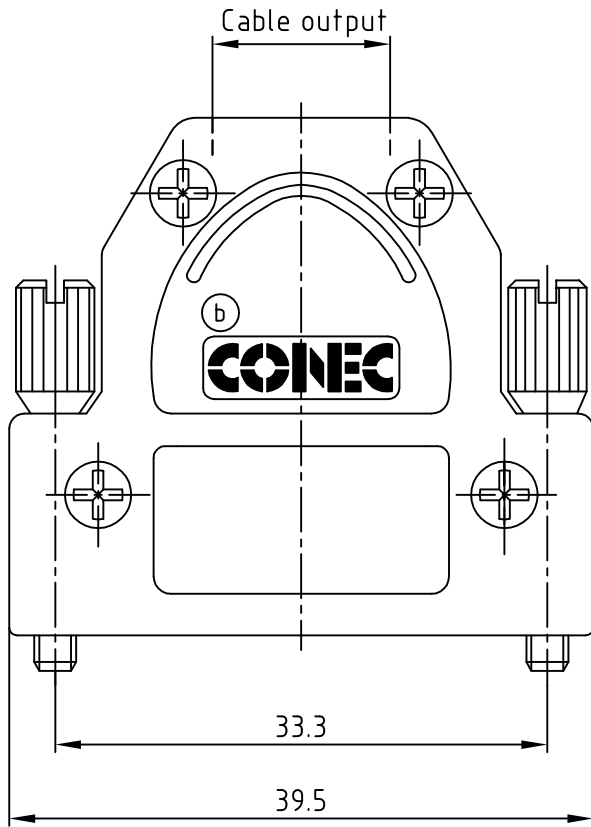
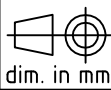



used for: D-SUB



THIS DRAWING MAY NOT BE COPIED OR REPRODUCED IN ANY WAY, AND MAY NOT BE PASSED ON TO A THIRD PARTY WITHOUT WRITTEN PERMISSION.  
 OWNERSHIP AND COPYRIGHT OF CONEC GmbH  
 DO NOT ALTER CAD DRAWING BY HAND

finish:			tolerance			 dim. in mm	
			2007	date	name		
			drawn	12.04.	Schwenkler		
			appd.	12.04.	Mickenbecker		
			norm				
			d-old				
1 x b	Ä6677	28.04.2017	Unkrüer				
a	Original						
rev.	description	date	name				

scale:	2:1	
material:	HOOD: DIE-CAST ZINC	
title:	METAL HOOD 15pos. EMI / RFI SHIELDING with jack screws	
dwg no:	AutoCAD	DIN-A
	16K1A2043	4
part no:	600X51215X	
		sh: 1/1

4 3 2 1

F

F

E

E

D

D

C

C

B

B

A

A

4 3 2 1

# Mouser Electronics

Authorized Distributor

Click to View Pricing, Inventory, Delivery & Lifecycle Information:

[CONEC:](#)

[600X51215X](#)