

**Technical specification:**

Rated voltage: IEC 61076-2-101	5pos 60 V
Current rating: IEC 61076-2-101	4 A at 40°C
Insulation resistance: IEC 60512	>=100 MΩ
Pollution degree: IEC 60664-1	3/2
Degree of protection: IEC 60529	IP 65, in mated condition
Temperature range: IEC 60664-1	+100°C - 30.000 h +125°C - 8.000 h +150°C - 2.000 h
Mating cycles: IEC 60512-9a	>=100

**Materials:**

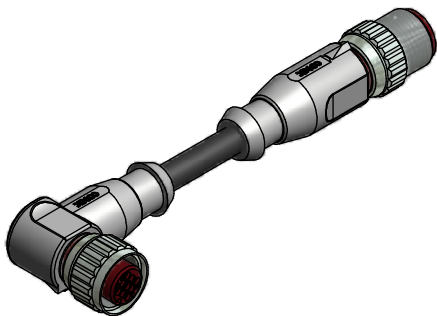
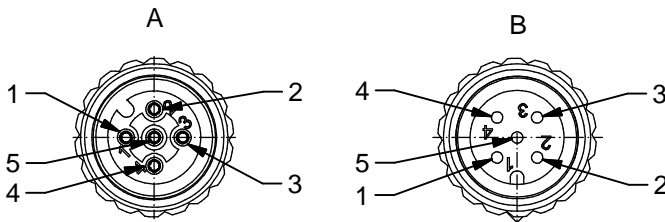
Contact:	CuZn, CuBe
Contact plating:	Nickel, gold plated
Contact carrier:	PBT GF, UL 94
Sealing:	FPM
Coupling nut/ screw:	CuZn, nickel plated
Moulding body:	Thermoplastic elastomere, grey

**Installation specification:**

Recommended torque:	0,6 Nm
---------------------	--------

**Contact assignment:**

- 1) brown
- 2) white
- 3) blue
- 4) black
- 5) green-yellow



Part no:	Description:	Length L:	Cable:
43-10912	SAL - HT - 12 - RKW5 - RS5 - 0,3 / S1	0,3m	TPE, black, 5x0,34mm <sup>2</sup> Cable: 781-S13500
43-10913	SAL - HT - 12 - RKW5 - RS5 - 0,6 / S1	0,6m	
43-10914	SAL - HT - 12 - RKW5 - RS5 - 1,5 / S1	1,5m	
43-10915	SAL - HT - 12 - RKW5 - RS5 - 3,0 / S1	3m	
43-xxxxx	SAL - HT - 12 - RKW5 - RS5 - ... / S1	x	

D see data sheet cable

DO NOT ALTER CAD DRAWING BY HAND	Directive 2002/95/EC RoHS compliant	Index: b 16.02.11 VF Ä3909 technical specification changed, part no. cable in table added, data sheet modified	dim. in mm	title: <b>Connecting cable M12x1, HT, female connector angled - male connector axial</b>									
		tolerance of cable: L ≤ 4m: L + 40mm L > 4m: L + 1%			<table border="1" style="width: 100%; border-collapse: collapse;"> <tr> <td></td> <td>date</td> <td>name</td> </tr> <tr> <td>drawn</td> <td>14.03.07</td> <td>Burschik</td> </tr> <tr> <td>appd.</td> <td>14.03.07</td> <td>Mankopf</td> </tr> </table>		date	name	drawn	14.03.07	Burschik	appd.	14.03.07
			date		name								
		drawn	14.03.07		Burschik								
appd.	14.03.07	Mankopf											
THIS DRAWING MAY NOT BE COPIED OR REPRODUCED IN ANY WAY, AND MAY NOT BE PASSED ON TO A THIRD PARTY WITHOUT WRITTEN PERMISSION. OWNERSHIP AND COPYRIGHT OF CONEC GmbH		dwg no:	43K1A451										
		part no:	see table										

# Mouser Electronics

Authorized Distributor

Click to View Pricing, Inventory, Delivery & Lifecycle Information:

[CONEC:](#)

[43-10912](#)