

Technical specification:

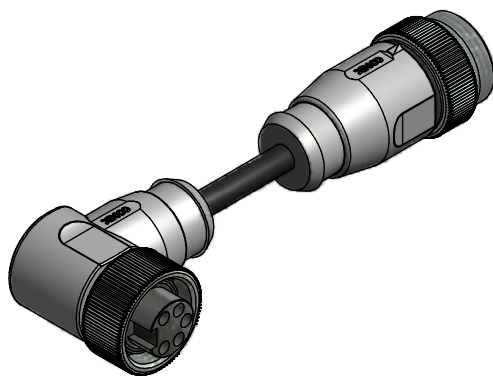
Rated voltage: IEC 60664-1	300 V
Overvoltage category: IEC 60664-1	2
Overvoltage: IEC 60664-1	2,7 kV
Current rating: IEC 60512-3 at 40°C	0,75mm ² 1,5mm ² 8 A 10 A
Insulation resistance: IEC 60512	>=100 MΩ
Pollution degree: IEC 60664-1	3/2
Degree of protection: IEC 60529	IP 68, in mated condition
Temperature range: IEC 60664-1	-30°C ... +80°C
Mating cycles: IEC 60512-9a	>=100
Termination:	crimped

Materials:

Contact:	CuZn
Contact plating:	Nickel, gold plated
Contact carrier:	TPU, UL 94
Coupling nut/ screw:	CuZn, nickel plated
Moulding body:	TPU, UL 94, grey

Contact assignment:

- 1) black
- 2) blue
- PE) green-yellow
- 4) brown
- 5) white



Part no:	Description:	Length L:	Cable:
41-01237	SAL - 7/8 - RKW4PE - RS4PE - 0,6 / K1	0,6m	TPU, UL 20549, black, 5x0,75mm ² Cable: 781-K17500
41-01238	SAL - 7/8 - RKW4PE - RS4PE - 1 / K1	1m	
41-01239	SAL - 7/8 - RKW4PE - RS4PE - 1,5 / K1	1,5m	
41-01240	SAL - 7/8 - RKW4PE - RS4PE - 2 / K1	2m	
41-xxxxx	SAL - 7/8 - RKW4PE - RS4PE - ... / K1	x	
41-01285	SAL - 7/8 - RKW4PE - RS4PE - 0,6 / K1 / 150	0,6m	TPU, UL 20549, black, 5x1,50mm ² Cable: 781-K18500
41-01286	SAL - 7/8 - RKW4PE - RS4PE - 1 / K1 / 150	1m	
41-01287	SAL - 7/8 - RKW4PE - RS4PE - 1,5 / K1 / 150	1,5m	
41-01288	SAL - 7/8 - RKW4PE - RS4PE - 2 / K1 / 150	2m	
41-xxxxx	SAL - 7/8 - RKW4PE - RS4PE - ... / K1 / 150	x	

D see data sheet cable

DO NOT ALTER CAD DRAWING BY HAND	Directive 2002/95/EC RoHS compliant	Index: b 14.10.10 KH Ä3736 technical specification changed, part no. cable in table added, neutral line added	dim. in mm	title: Connecting cable 7/8", female connector angled - male connector axial									
		tolerance of cable: L ≤ 4m: L + 40mm L > 4m: L + 1%			<table border="1"> <tr> <td></td> <td>date</td> <td>name</td> </tr> <tr> <td>drawn</td> <td>12.02.08</td> <td>Franz</td> </tr> <tr> <td>appd.</td> <td>12.02.08</td> <td>Mankopf</td> </tr> </table>		date	name	drawn	12.02.08	Franz	appd.	12.02.08
			date		name								
		drawn	12.02.08		Franz								
appd.	12.02.08	Mankopf											
THIS DRAWING MAY NOT BE COPIED OR REPRODUCED IN ANY WAY, AND MAY NOT BE PASSED ON TO A THIRD PARTY WITHOUT WRITTEN PERMISSION. OWNERSHIP AND COPYRIGHT OF CONEC GmbH		dwg no: 41K1A366											
		part no: see table											

Mouser Electronics

Authorized Distributor

Click to View Pricing, Inventory, Delivery & Lifecycle Information:

[CONEC:](#)

[41-01286](#)