

Contact assignment:

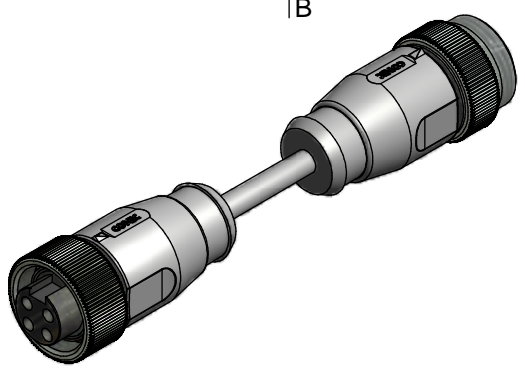
- 1) brown
- 2) white
- 3) blue
- 4) black

Technical specification:

| | |
|--|--|
| Rated voltage: IEC 60664-1 | 300 V |
| Overtoltage category: IEC 60664-1 | 2 |
| Overtoltage: IEC 60664-1 | 2,7 kV |
| Current rating: IEC 60512-3 at 40°C | 0,75mm ² 1,5mm ² 8 A 10 A |
| Insulation resistance: IEC 60512 | >=100 MΩ |
| Pollution degree: IEC 60664-1 | 3/2 |
| Degree of protection: IEC 60529 | IP 68, in mated condition |
| Temperature range: IEC 60664-1 | -30°C ... +80°C |
| Mating cycles: IEC 60512-9a | >=100 |
| Termination: | crimped |

Materials:

| | |
|-------------------------|---------------------|
| Contact: | CuZn |
| Contact plating: | Nickel, gold plated |
| Contact carrier: | TPU, UL 94 |
| Coupling nut/ screw: | CuZn, nickel plated |
| Moulding body: | TPU, UL 94, grey |



| Part no: | Description: | Length L: | Cable: |
|----------|--|-----------|---|
| 41-01209 | SAL - 7/8 - RK4 - RS4 - 0,6 / A3 | 0,6m | PVC, UL 2464, grey, 4x0,75mm ² Cable: 781-A37400 |
| 41-01210 | SAL - 7/8 - RK4 - RS4 - 1 / A3 | 1m | |
| 41-01211 | SAL - 7/8 - RK4 - RS4 - 1,5 / A3 | 1,5m | |
| 41-01212 | SAL - 7/8 - RK4 - RS4 - 2 / A3 | 2m | |
| 41-xxxxx | SAL - 7/8 - RK4 - RS4 - ... / A3 | x | |
| 41-01257 | SAL - 7/8 - RK4 - RS4 - 0,6 / A3 / 150 | 0,6m | PVC, UL 2464, grey, 4x1,50mm ² Cable: 781-A38400 |
| 41-01258 | SAL - 7/8 - RK4 - RS4 - 1 / A3 / 150 | 1m | |
| 41-01259 | SAL - 7/8 - RK4 - RS4 - 1,5 / A3 / 150 | 1,5m | |
| 41-01260 | SAL - 7/8 - RK4 - RS4 - 2 / A3 / 150 | 2m | |
| 41-xxxxx | SAL - 7/8 - RK4 - RS4 - ... / A3 / 150 | x | |

D see date sheet cable

| | | | | | | | |
|----------------------------------|-------------------------------------|---|------------|--|----------|---------|--------------------------------|
| DO NOT ALTER CAD DRAWING BY HAND | Directive 2002/95/EC RoHS compliant | Index: c 03.09.10 KH Ä3736 technical specification changed, part no. cable in table added, neutral line added | dim. in mm | title: Connecting cable 7/8", female connector axial - male connector axial | | | |
| | | tolerance of cable: L ≤ 4m: L + 40mm L > 4m: L + 1% | | | date | name | |
| | | THIS DRAWING MAY NOT BE COPIED OR REPRODUCED IN ANY WAY, AND MAY NOT BE PASSED ON TO A THIRD PARTY WITHOUT WRITTEN PERMISSION. OWNERSHIP AND COPYRIGHT OF CONEC GmbH | drawn | | 12.02.08 | Franz | dwg no: 41K1A359 |
| | | | appd. | | 12.02.08 | Mankopf | |



Mouser Electronics

Authorized Distributor

Click to View Pricing, Inventory, Delivery & Lifecycle Information:

[CONEC:](#)

[41-01258](#)