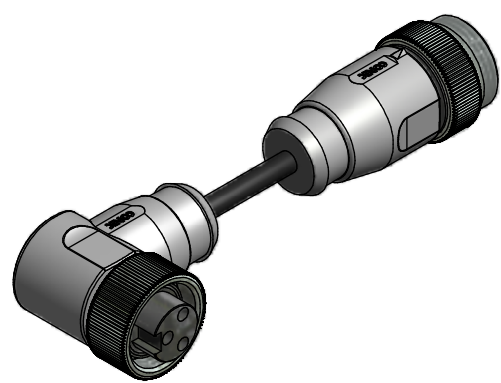
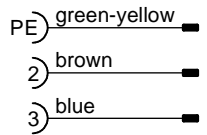


Technical specification:

Rated voltage: IEC 60664-1	300 V
Overvoltage category: IEC 60664-1	2
Overvoltage: IEC 60664-1	2,7 kV
Current rating: IEC 60512-3 at 40°C	0,75mm ² 1,5mm ² 8 A 12 A
Insulation resistance: IEC 60512	>=100 MΩ
Pollution degree: IEC 60664-1	3/2
Degree of protection: IEC 60529	IP 68, in mated condition
Temperature range: IEC 60664-1	-30°C ... +80°C
Mating cycles: IEC 60512-9a	>=100
Termination:	crimped
Materials:	
Contact:	CuZn
Contact plating:	Nickel, gold plated
Contact carrier:	TPU, UL 94
Coupling nut/ screw:	CuZn, nickel plated
Moulding body:	TPU, UL 94, grey

Contact assignment:



Part no:	Description:	Length L:	Cable:
41-01205	SAL - 7/8 - RKW2PE - RS2PE - 0,6 / K0	0,6m	TPU, UL 20940, black, 3x0,75mm ² Cable: 781-K07300
41-01206	SAL - 7/8 - RKW2PE - RS2PE - 1 / K0	1m	
41-01207	SAL - 7/8 - RKW2PE - RS2PE - 1,5 / K0	1,5m	
41-01208	SAL - 7/8 - RKW2PE - RS2PE - 2 / K0	2m	
41-xxxxx	SAL - 7/8 - RKW2PE - RS2PE - ... / K0	x	
41-01253	SAL - 7/8 - RKW2PE - RS2PE - 0,6 / K0 / 150	0,6m	TPU, UL 20940, black, 3x1,50mm ² Cable: 781-K08300
41-01254	SAL - 7/8 - RKW2PE - RS2PE - 1 / K0 / 150	1m	
41-01255	SAL - 7/8 - RKW2PE - RS2PE - 1,5 / K0 / 150	1,5m	
41-01256	SAL - 7/8 - RKW2PE - RS2PE - 2 / K0 / 150	2m	
41-xxxxx	SAL - 7/8 - RKW2PE - RS2PE - ... / K0 / 150	x	

D see data sheet cable

DO NOT ALTER CAD DRAWING BY HAND Directive 2002/95/EC RoHS compliant	Index: b 14.02.11 VF Ä3891 cable type changed, technical specification changed, part no. cable in table added, neutral line added	dim. in mm	title: Connecting cable 7/8", female connector angled-male connector axial								
	tolerance of cable: L ≤ 4m: L + 40mm L > 4m: L + 1%			<table border="1"> <tr> <td></td> <td>date</td> <td>name</td> </tr> <tr> <td>drawn</td> <td>11.02.08</td> <td>Franz</td> </tr> <tr> <td>appd.</td> <td>11.02.08</td> <td>Mankopf</td> </tr> </table>		date	name	drawn	11.02.08	Franz	appd.
		date	name								
	drawn	11.02.08	Franz								
appd.	11.02.08	Mankopf									
THIS DRAWING MAY NOT BE COPIED OR REPRODUCED IN ANY WAY, AND MAY NOT BE PASSED ON TO A THIRD PARTY WITHOUT WRITTEN PERMISSION. OWNERSHIP AND COPYRIGHT OF CONEC GmbH		dwg no:	41K1A358								
		part no:	see table								

Mouser Electronics

Authorized Distributor

Click to View Pricing, Inventory, Delivery & Lifecycle Information:

[CONEC:](#)

[41-01255](#)