

**Contact assignment:**

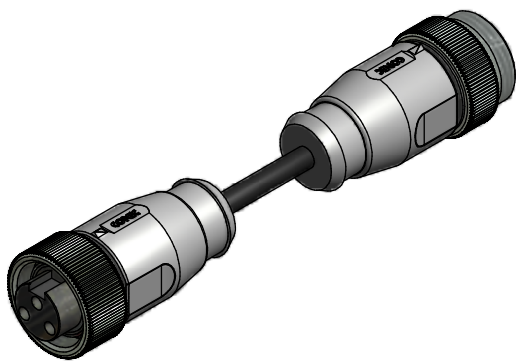
- PE) green-yellow
- 2) brown
- 3) blue

**Technical specification:**

Rated voltage: IEC 60664-1	300 V
Overvoltage category: IEC 60664-1	2
Overvoltage: IEC 60664-1	2,7 kV
Current rating: IEC 60512-3 at 40°C	0,75mm <sup>2</sup> 1,5mm <sup>2</sup> 8 A 12 A
Insulation resistance: IEC 60512	>=100 MΩ
Pollution degree: IEC 60664-1	3/2
Degree of protection: IEC 60529	IP 68, in mated condition
Temperature range: IEC 60664-1	-30°C ... +80°C
Mating cycles: IEC 60512-9a	>=100
Termination:	crimped

**Materials:**

Contact:	CuZn
Contact plating:	Nickel, gold plated
Contact carrier:	TPU, UL 94
Coupling nut/ screw:	CuZn, nickel plated
Moulding body:	TPU, UL 94, grey



Part no:	Description:	Length L:	Cable:
41-01197	SAL - 7/8 - RK2PE - RS2PE - 0,6 / K0	0,6m	TPU, UL 20940, black, 3x0,75mm <sup>2</sup> Cable: 781-K07300
41-01198	SAL - 7/8 - RK2PE - RS2PE - 1 / K0	1m	
41-01199	SAL - 7/8 - RK2PE - RS2PE - 1,5 / K0	1,5m	
41-01200	SAL - 7/8 - RK2PE - RS2PE - 2 / K0	2m	
41-xxxxx	SAL - 7/8 - RK2PE - RS2PE - ... / K0	x	
41-01245	SAL - 7/8 - RK2PE - RS2PE - 0,6 / K0 / 150	0,6m	TPU, UL 20940, black, 3x1,50mm <sup>2</sup> Cable: 781-K08300
41-01246	SAL - 7/8 - RK2PE - RS2PE - 1 / K0 / 150	1m	
41-01247	SAL - 7/8 - RK2PE - RS2PE - 1,5 / K0 / 150	1,5m	
41-01248	SAL - 7/8 - RK2PE - RS2PE - 2 / K0 / 150	2m	
41-xxxxx	SAL - 7/8 - RK2PE - RS2PE - ... / K0 / 150	x	

D see data sheet cable

DO NOT ALTER CAD DRAWING BY HAND	Directive 2002/95/EC RoHS compliant	Index: b 14.02.11 VF Ä3891 cable type changed, technical specification changed, part no. cable in table added, neutral line added	dim. in mm	title: <b>Connecting cable 7/8", female connector axial - male connector axial</b>  dwg no: <b>41K1A356</b>  part no: <b>see table</b>						
		tolerance of cable: L ≤ 4m: L + 40mm L > 4m: L + 1%			<table border="1"> <tr> <td>date</td> <td>name</td> </tr> <tr> <td>11.02.08</td> <td>Franz</td> </tr> <tr> <td>11.02.08</td> <td>Mankopf</td> </tr> </table>	date	name	11.02.08	Franz	11.02.08
		date	name							
		11.02.08	Franz							
11.02.08	Mankopf									
THIS DRAWING MAY NOT BE COPIED OR REPRODUCED IN ANY WAY, AND MAY NOT BE PASSED ON TO A THIRD PARTY WITHOUT WRITTEN PERMISSION. OWNERSHIP AND COPYRIGHT OF CONEC GmbH										

# Mouser Electronics

Authorized Distributor

Click to View Pricing, Inventory, Delivery & Lifecycle Information:

[CONEC:](#)

[41-01247](#)