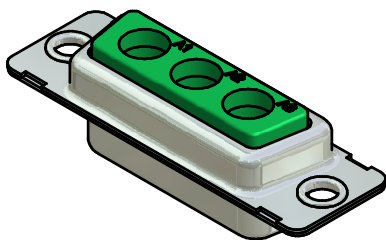
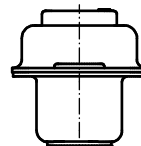
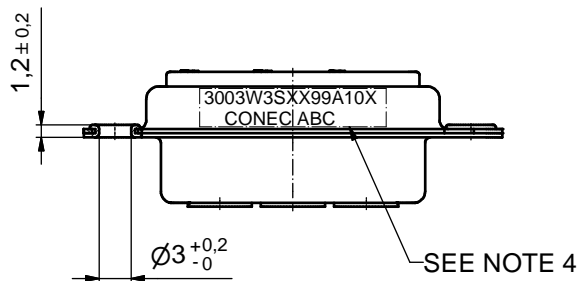
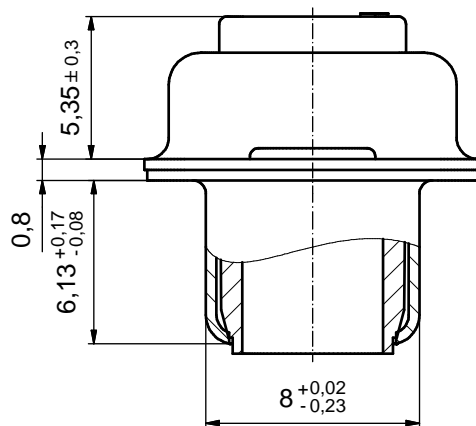
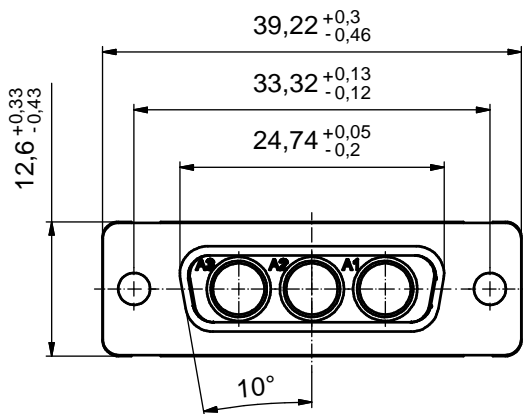


(5 x 1)



NOTES:

1. METALSHELLS: STEEL; min. 315µin TIN over 40-80µin NICKEL
2. INSULATOR: PBT GF UL 94 V-0; GREEN
3. NO CONTACTS ON POS: A1 , A2 and A3
4. CONNECTOR IS PART MARKED: 3003W3SXX99A10X CONEC ABC

Directive 2002/95/EC
„RoHS“
Compliant

APPROVAL # FREIGABE # DEBLOCAGE # AUTORIZACION # APPROVAL	
CUSTOMER APPROVAL DATE:	
NAME:	TITLE:
COMPANY NAME:	
APPROVAL # FREIGABE # DEBLOCAGE # AUTORIZACION # APPROVAL	

THIS DRAWING MAY NOT BE COPIED OR REPRODUCED IN ANY WAY, AND MAY NOT BE PASSED ON TO A THIRD PARTY WITHOUT WRITTEN PERMISSION. OWNERSHIP AND COPYRIGHT OF CONEC GmbH			
DO NOT ALTER CAD DRAWING BY HAND			
rev.	description	date	name
a	Origin		

tolerance		 dim. in mm
date	name	
drawn	18.01.2010	Henneboel
appd.	18.01.2010	Koch
norm		
d-old		

scale: 2:1 (5:1)	
material: SEE NOTES	
title: D-SUB COMBINATION FEMALE 3W3S	
dwg no:	Inventor 10
13K1A246A	
part no: 3003W3SXX99A10X	
DIN-A3	sh: 1



Mouser Electronics

Authorized Distributor

Click to View Pricing, Inventory, Delivery & Lifecycle Information:

[CONEC:](#)

[3003W3SXX99A10X](#)