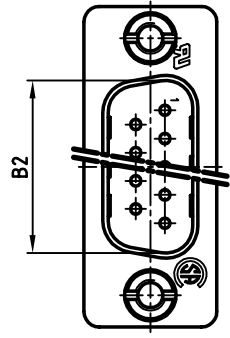
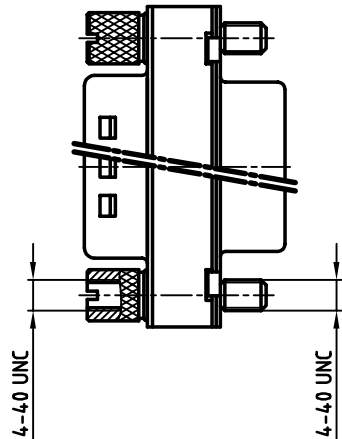
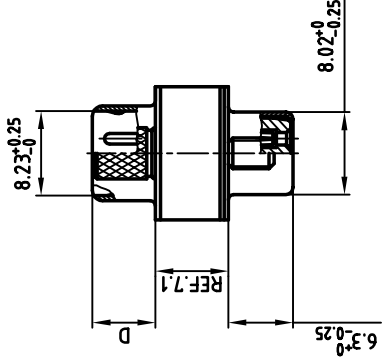
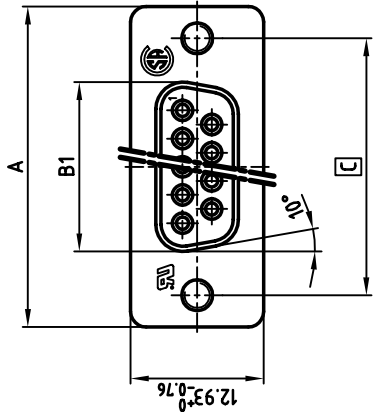


used for: D-SUB FILTER ADAPTER

Part-NO.	POS.	A <sup>-0.76</sup>	B1 <sup>-0.25</sup>	B2 <sup>+0.25</sup>	C	D <sup>-0.3</sup>
243A10090X	9	31.19	16.46	16.79	25.00 <sup>+0.12</sup> <sub>-0.13</sub>	6.12
243A10100X	15	39.52	24.79	25.12	33.30 <sup>+0.15</sup> <sub>-0.1</sub>	6.12
243A10110X	25	53.42	38.50	38.84	47.04 <sup>+0.13</sup>	5.99
243A10120X	37	69.70	54.96	55.30	63.50 <sup>+0.13</sup>	5.99



**NOTES:**  
 1. METAL SHELLS: STEEL; min. 320µ" TIN  
 2. INSULATORS: PBT GF UL 94 V-0, BLACK  
 3. CONTACTS: COPPER ALLOY  
 4. PLATING: min. 8µ" HARD GOLD OVER min. 50µ" NICKEL  
 5. CAPACITANCE: 830pF ±20%  
 6. MAXIMUM TORQUE VALUE FOR THREAD: 6" LBS  
 7.   = CRITICAL DIMENSION: SPC

THIS DRAWING MAY NOT BE COPIED OR REPRODUCED IN ANY WAY, AND MAY NOT BE PASSED ON TO A THIRD PARTY WITHOUT WRITTEN PERMISSION.  
 OWNERSHIP AND COPYRIGHT OF CONEC GMBH DO NOT ALTER CAD DRAWING BY HAND

rev.	description	date	name

CONEC CORPORATION BRAMPTON, ONTARIO		tolerance	scale:
2001	name	2001	2:1
drawn	date	08.10.	material:
appd.	08.10.	08.10.	SEE NOTES
norm	E. Mickenbecker	DIN 41652	title:
c-odd	DIN 41652		D-SUB C-FILTER ADAPTER
			9-37pos. PLUG / SOCKET

CONEC®		dwg no:	DIN-A
		AutoCAD 2000	3
		24K1A176A	sh: 1/1
		part no:	SEE TABLE

# Mouser Electronics

Authorized Distributor

Click to View Pricing, Inventory, Delivery & Lifecycle Information:

[CONEC:](#)

[243A10120X](#)