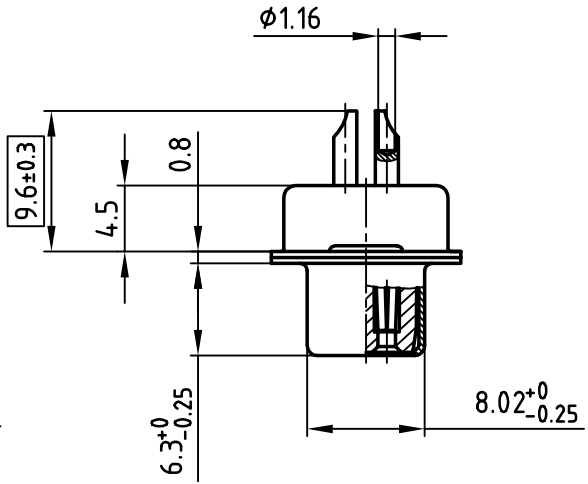
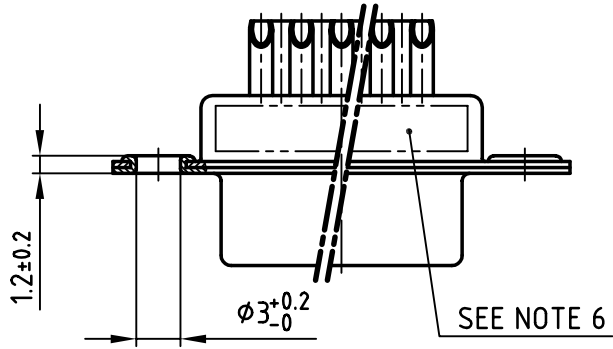
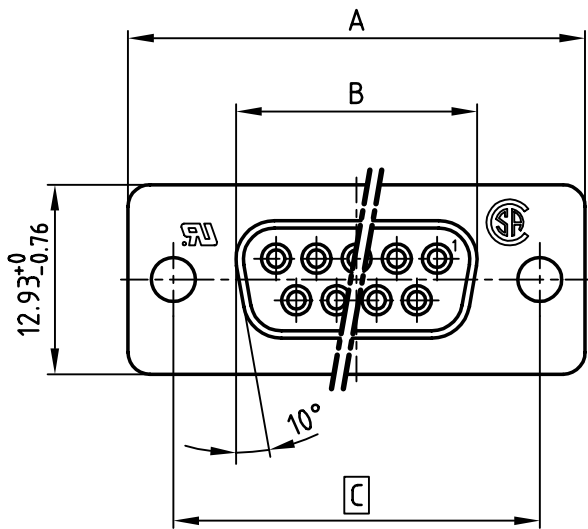


used for: D-SUB FILTER

POS.	A ^{-0.76}	B ^{-0.25}	C	Part NO.
9	31.19	16.46	25.00 ^{+0.12} _{-0.13}	242A26820X
15	39.52	24.79	33.30 ^{+0.15} _{-0.1}	242A26830X
25	53.42	38.50	47.04 ± 0.13	242A26840X
37	69.70	54.96	63.50 ± 0.13	242A26850X



NOTES:

- METALSHELLS: STEEL; min. 320 μ " TIN
- INSULATORS: PBT GF UL 94 V-0, BLACK
- CONTACTS: COPPER ALLOY
SOLDER CUP ACCEPTS CABLE AWG 20
PLATING: min. 8 μ " HARD GOLD OVER min. 50 μ " NICKEL
- CAPACITANCE: 830pF $\pm 20\%$
- DIELECTRIC WITHSTANDING VOLTAGE: 424 VDC
- CONNECTOR IS PART MARKED: PART-NO. CONEC Y/W/W
- = CRITICAL DIMENSION

APPROVAL # FREIGABE # DEBLOCAGE # AUTORIZACION # APPROVAL	
CUSTOMER APPROVAL DATE:	
NAME:	TITLE:
COMPANY NAME:	
APPROVAL # FREIGABE # DEBLOCAGE # AUTORIZACION # APPROVAL	

THIS DRAWING MAY NOT BE COPIED OR REPRODUCED IN ANY WAY, AND MAY NOT BE PASSED ON TO A THIRD PARTY WITHOUT WRITTEN PERMISSION.
 OWNERSHIP AND COPYRIGHT OF CONEC GmbH
 DO NOT ALTER CAD DRAWING BY HAND

rev.	description	date	name

tolerance			
2002	date	name	
drawn	18.06.	Parei	D-SUB FILTER FEMALE 9-37pos. SOLDER CUP
appd.	18.06.	E. Mickenbecker	
norm	DIN 41652		
d-old			

scale:	2:1
material:	SEE NOTES
title:	D-SUB FILTER FEMALE 9-37pos. SOLDER CUP
dwg no:	AutoCAD 2000
part no:	24K1A270
	SEE TABLE



DIN-A
 4
 sh: 1/1

Mouser Electronics

Authorized Distributor

Click to View Pricing, Inventory, Delivery & Lifecycle Information:

[CONEC:](#)

[242A26840X](#)