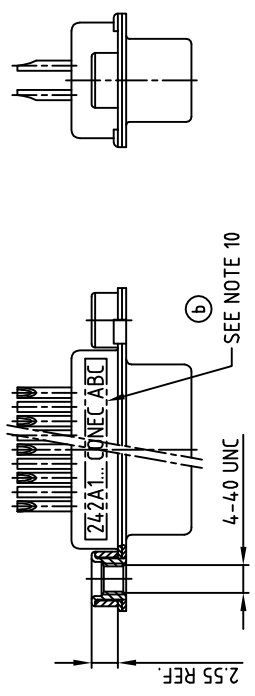
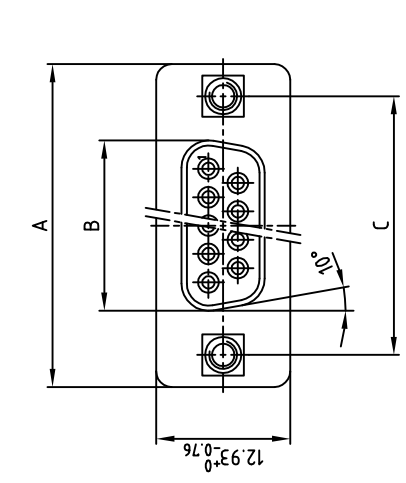
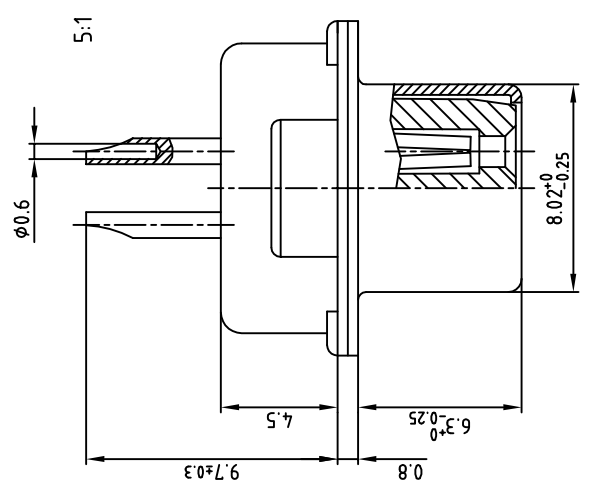


used for: D-SUB Filter



**NOTES:**

1. METALSHELLS: STEEL; min. 315µin TIN over 4.0-80µin NICKEL
2. INSULATORS: PBT GF UL 94 V-0, BLACK
3. CONTACTS: COPPER ALLOY
4. PLATING: min. 8µin HARD GOLD over min. 50µin NICKEL
5. SOLDER CUP ACCEPTS CABLE AWG 26
6. THREADED INSERT: COPPER ALLOY; min. 200µin TIN over 80µin NICKEL
7. COLLAR: COPPER ALLOY; min. 200µin TIN over 80µin NICKEL
8. CAPACITANCE: SEE TABLE
9. MAXIMUM TORQUE VALUE FOR THREAD: 6in.LB
10. CONNECTOR IS PART MARKED: [PART-NO., CONEC ABC]



tolerance		scale: 2:1		material: SEE NOTES	
2001	date	name	title:		
drawn	25.09.	Panel	D-SUB FILTER FEMALE		
appd.	25.09.	E. Mickenbecker	SOLDER CUP 9-37pos.		
norm		DIN 41652	with threaded insert		
e-sold			DIN-A		
rev.	10.02.2009	Sonne	dwg no: AutoCAD 2000		
a	Origin		24K1A167A		
2 x b			part no: SEE TABLE		

THIS DRAWING MAY NOT BE COPIED OR REPRODUCED IN ANY WAY, AND MAY NOT BE PASSED ON TO A THIRD PARTY WITHOUT WRITTEN PERMISSION. OWNERSHIP AND COPYRIGHT OF CONEC GMBH DO NOT ALTER CAD DRAWING BY HAND

No. of pos.	A -0.76	B -0.25	C
9	31.19	16.46	25.00 +0.12 -0.13
15	39.52	24.79	33.30 +0.15 -0.17
25	53.42	38.50	47.04 +0.13 -0.15
37	69.70	54.96	63.50 +0.13 -0.15

Capacitance	9	15	25	37
180pF ±20%	242A15960X	242A15970X	242A15980X	242A15990X
370pF ±20%	242A11730X	242A11740X	242A11750X	242A11760X
830pF ±20%	242A11810X	242A11820X	242A11830X	242A11840X
1300pF ±20%	242A11770X	242A11780X	242A11790X	242A11800X

1 2 3 4 5 6 7 8

# Mouser Electronics

Authorized Distributor

Click to View Pricing, Inventory, Delivery & Lifecycle Information:

[CONEC:](#)

[242A11810X](#)