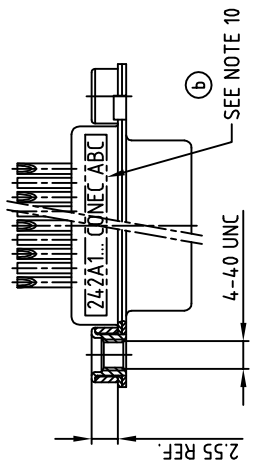
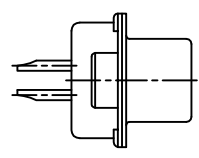
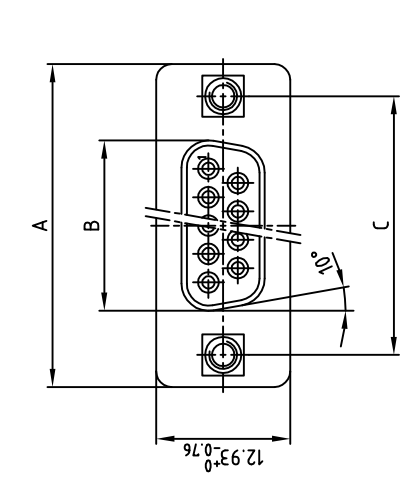
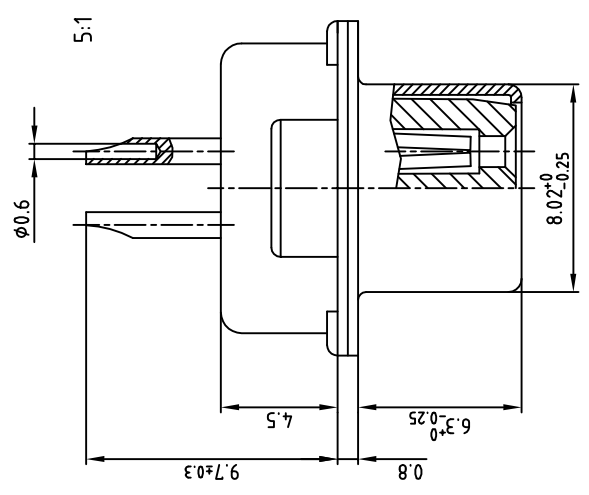


used for: D-SUB Filter



NOTES:

1. METALSHELLS: STEEL; min. 315µin TIN over 4.0-80µin NICKEL
2. INSULATORS: PBT GF UL 94 V-0, BLACK
3. CONTACTS: COPPER ALLOY
4. PLATING: min. 8µin HARD GOLD over min. 50µin NICKEL
5. SOLDER CUP ACCEPTS CABLE AWG 26
6. THREADED INSERT: COPPER ALLOY; min. 200µin TIN over 80µin NICKEL
7. COLLAR: COPPER ALLOY; min. 200µin TIN over 80µin NICKEL
8. CAPACITANCE: SEE TABLE
9. MAXIMUM TORQUE VALUE FOR THREAD: 6in.LB
10. CONNECTOR IS PART MARKED: [PART-NO., CONEC ABC]



tolerance		scale: 2:1	
material:		material: SEE NOTES	
title:		D-SUB FILTER FEMALE	
SOLDER CUP 9-37pos.		with threaded insert	
dwg no:		AutoCAD 2000	
DIN-A		3	
sh: 1/1		24K1A167A	
part no:		SEE TABLE	

No. of pos.	A -0.76	B -0.25	C
9	31.19	16.46	25.00 +0.12 -0.13
15	39.52	24.79	33.30 +0.15 -0.17
25	53.42	38.50	47.04 +0.13 -0.15
37	69.70	54.96	63.50 +0.13 -0.15

Capacitance	9	15	25	37
180pF ±20%	242A15960X	242A15970X	242A15980X	242A15990X
370pF ±20%	242A11730X	242A11740X	242A11750X	242A11760X
830pF ±20%	242A11810X	242A11820X	242A11830X	242A11840X
1300pF ±20%	242A11770X	242A11780X	242A11790X	242A11800X

THIS DRAWING MAY NOT BE COPIED OR REPRODUCED IN ANY WAY, AND MAY NOT BE PASSED ON TO A THIRD PARTY WITHOUT WRITTEN PERMISSION. OWNERSHIP AND COPYRIGHT OF CONEC GMBH DO NOT ALTER CAD DRAWING BY HAND



2001	date	25.09.	name	Parrel
drawn	25.09.	appd.	E. Mickenbecker	norm
2 x b	A3284	10.02.2009	Sonne	e-sold
a	Origin			
rev.	description	date	name	

Mouser Electronics

Authorized Distributor

Click to View Pricing, Inventory, Delivery & Lifecycle Information:

[CONEC:](#)

[242A11770X](#)