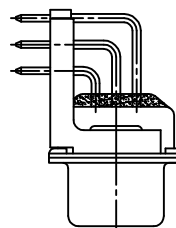
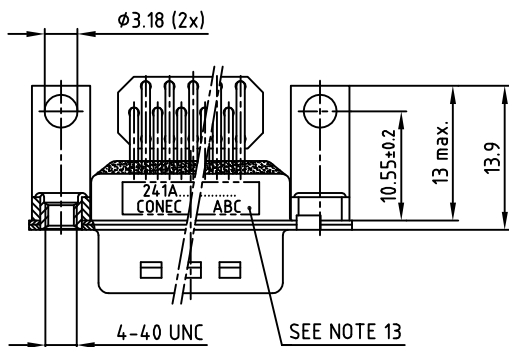
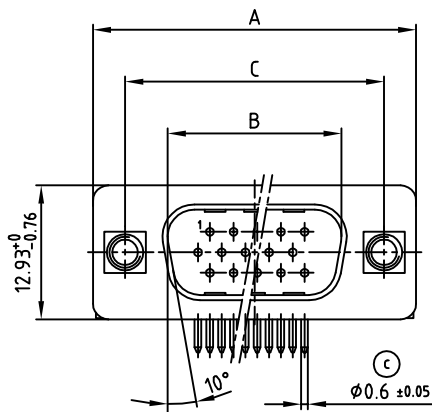
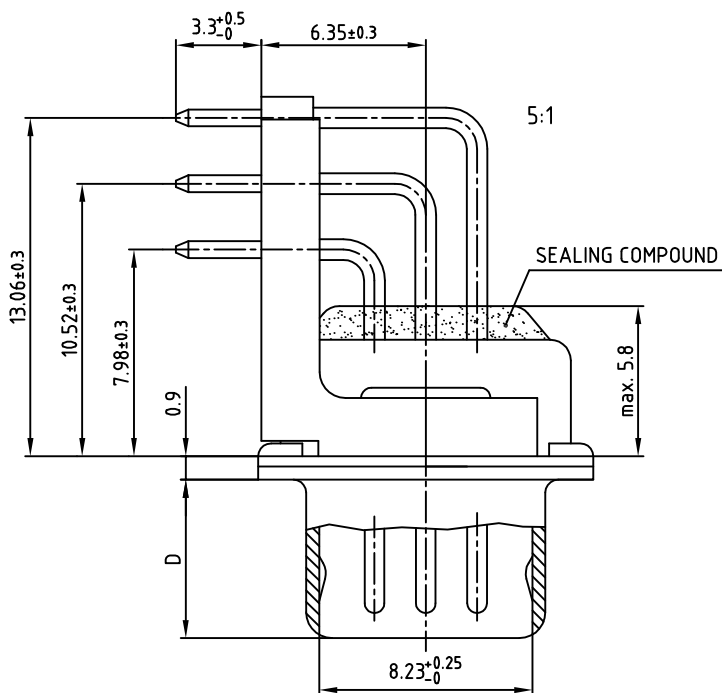


used for: D-SUB HD FILTER

No. of pos.	A -0.76	B $+0.25$	C $+0.12$ -0.13	D -0.3	Part-NO.
15	31.19	16.79	25.00	6.12	241A25760X
26	39.52	25.12	33.30	6.12	241A25770X

(b)



(c) NOTES:

1. RoHS COMPLIANT
2. FOR WAVESOLDERING (SOLDER BATH TEMPERATURE 260°C FOR 5 SEC. AND SOLDER PREHEAT 100°C FOR 30 SEC.)
3. METALSHELLS: STEEL; min. 315µm TIN over 40-80µm NICKEL
4. INSULATOR: HIGH TEMPERATURE PLASTIC UL 94 V-0, BLACK
5. CONTACTS: COPPER ALLOY
PLATING: GOLD FLASH over NICKEL
CONTACT TAILS PRETINNED
6. METAL BRACKETS: ZINC DIE CAST; 300µm COPPER
40-120µm NICKEL/120-200µm TIN
7. THREADED INSERTS: COPPER ALLOY; min. 200µm TIN over 80µm NICKEL
8. FIXING-PLATE: PBT GF UL 94 V-0, BLACK
9. P.C.B. HOLE DRILLINGS ON DRAWING NO.: 16V1H5B
10. CAPACITANCE: 830pF ±20%
11. DIELECTRIC WITHSTANDING VOLTAGE: 300 VDC
12. MAXIMUM TORQUE VALUE FOR THREAD: 6in.LB
13. CONNECTOR IS PART MARKED: PART-NO. CONEC ABC

Directive 2002/95/EC RoHS compliant

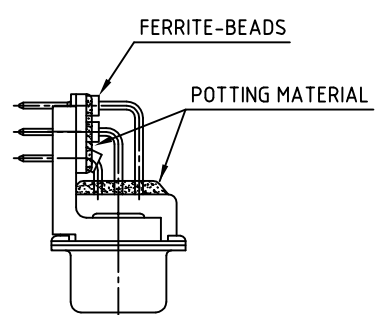
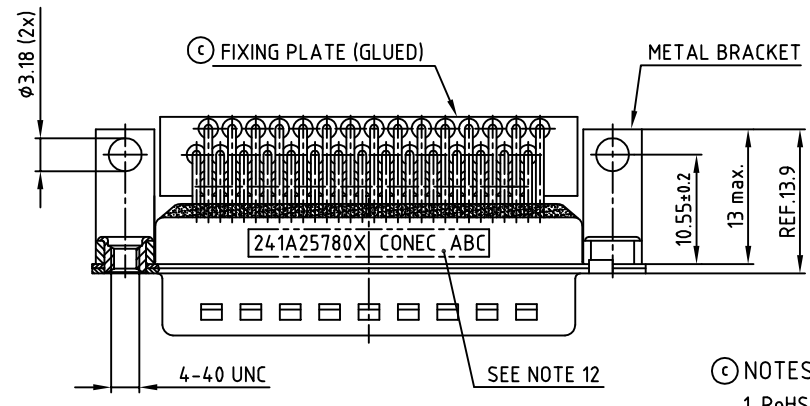
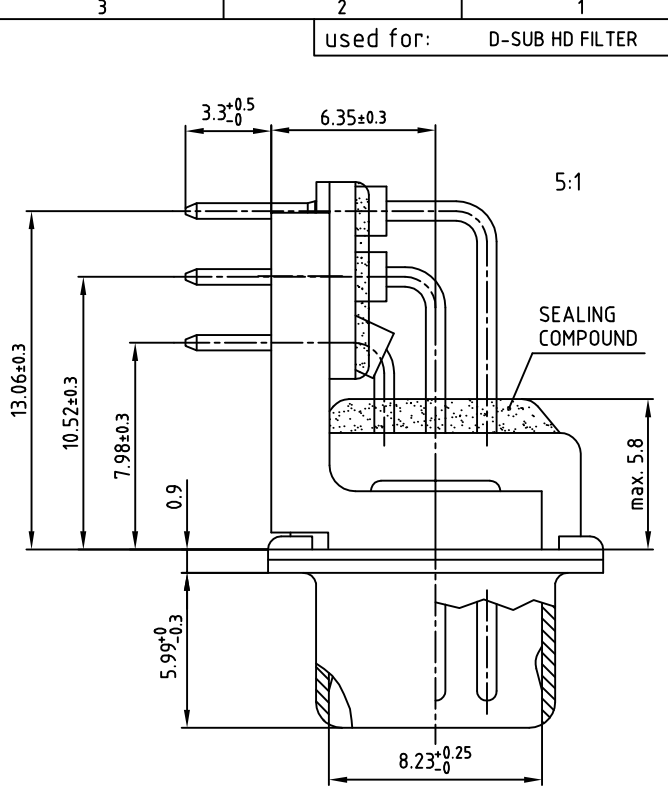
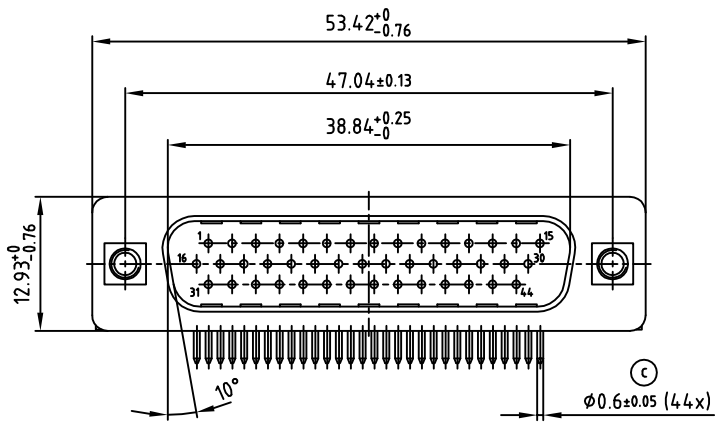
APPROVAL # FREIGABE # DEBLOCAGE # AUTORIZACION # APPROVAL	
CUSTOMER APPROVAL DATE:	
NAME:	TITLE:
COMPANY NAME:	
APPROVAL # FREIGABE # DEBLOCAGE # AUTORIZACION # APPROVAL	

THIS DRAWING MAY NOT BE COPIED OR REPRODUCED IN ANY WAY, AND MAY NOT BE PASSED ON TO A THIRD PARTY, WITHOUT WRITTEN PERMISSION. OWNERSHIP AND COPYRIGHT OF CONEC GmbH DO NOT ALTER CAD DRAWING BY HAND

rev.	description	date	name	tolerance	dim. in mm
2 x c	Ä 4450	05.09.12	Lehmen	d-old	
2 x b	Ä 2959	26.03.08	Lehmen		
a	Original				

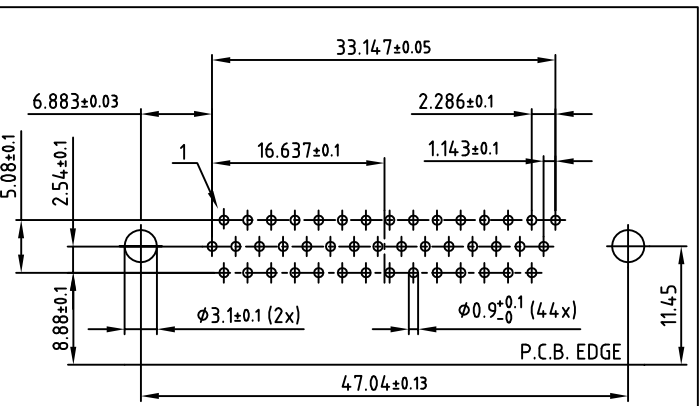
scale:	2:1 (5:1)
material:	SEE NOTES
title:	D-SUB HD FILTER MALE 90° 15-26pos. 0.350inch with threaded insert, metal bracket, ferrite
dwg no:	AutoCAD 2000
part no:	SEE TABLE
	24K1A511
	3 (b)
	sh:1/2





NOTES:

1. RoHS COMPLIANT
2. FOR WAVESOLDERING (SOLDER BATH TEMPERATURE 260°C FOR 5 SEC. AND SOLDER PREHEAT 100°C FOR 30 SEC.)
3. METAL SHELLS: STEEL; min. 315µm TIN over 40-80µm NICKEL
4. INSULATOR: HIGH TEMPERATURE PLASTIC UL 94 V-0; BLACK
5. CONTACTS: COPPER ALLOY
PLATING: GOLD FLASH over NICKEL
CONTACT TAILS PRETINNED
6. METAL BRACKETS: ZINC DIE CAST; 300µm COPPER
40-120µm NICKEL/120-200µm TIN
7. THREADED INSERTS: COPPER ALLOY; min. 200µm TIN over 80µm NICKEL
8. FIXING-PLATE: PBT GF UL 94 V-0; BLACK
9. CAPACITANCE: 830pF ±20%
10. DIELECTRIC WITHSTANDING VOLTAGE: 300 VDC
11. MAXIMUM TORQUE VALUE FOR THREAD: 6 in.LB
12. CONNECTOR IS PART MARKED: 241A25780X CONEC ABC



P.C.B. HOLE DRILLINGS
(P.C.B. TOP SIDE)

Directive 2002/95/EC RoHS compliant

APPROVAL # FREIGABE # DEBLOCAGE # AUTORIZACION # APPROVAL

CUSTOMER APPROVAL DATE:

NAME: TITLE:

COMPANY NAME:

APPROVAL # FREIGABE # DEBLOCAGE # AUTORIZACION # APPROVAL

THIS DRAWING MAY NOT BE COPIED OR REPRODUCED IN ANY WAY, AND MAY NOT BE PASSED ON TO A THIRD PARTY, WITHOUT WRITTEN PERMISSION. OWNERSHIP AND COPYRIGHT OF CONEC GmbH DO NOT ALTER CAD DRAWING BY HAND

rev.	description	date	name
3 x c	Ä 4450	05.09.12	Lehmen
a	Original		

tolerance	dim. in mm
2008	date
drawn	26.03. Lehmenkühler
appd.	26.03. Mickenbecker
norm	DIN 41652
d-old	

scale: 2:1 (5:1)

material: SEE NOTES

title: D-SUB HD FILTER MALE 90°
44pos. 0.350inch
threaded insert, metal bracket, ferrite-beads

dwg no: AutoCAD 2006 DIN-A
24K1A511 3
sh:2/2

part no: 241A25780X

Mouser Electronics

Authorized Distributor

Click to View Pricing, Inventory, Delivery & Lifecycle Information:

[CONEC:](#)

[241A25780X](#)