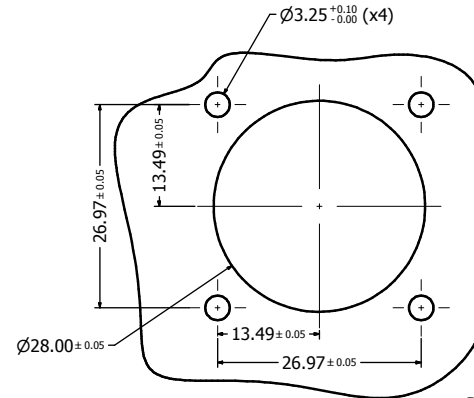
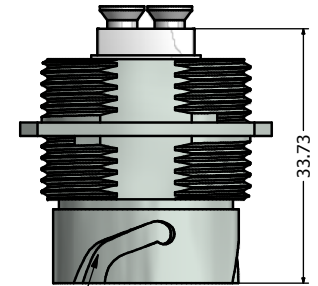


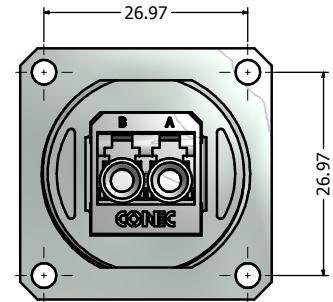
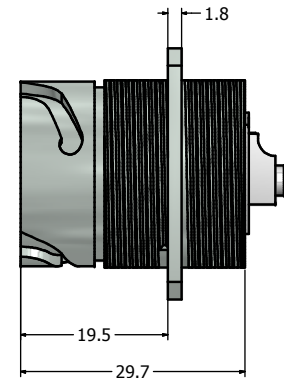
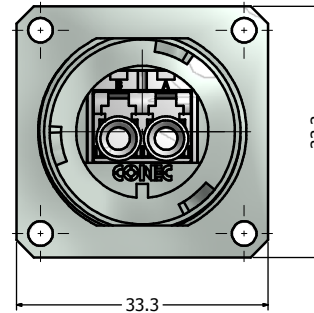
Recommended Double-D Panel Cutout



Recommended Round Panel Cutout



Bayonet Channel x 3



Notes:

- Material and Finish:
 - Receptacle Housing: Die-Cast, Nickel Plated
 - Duplex LC Adaptor Assembly:
 - Housing: Mod. PPO, UL94 V-0, Color: **SM Blue/MM Beige/APC SM Green**
 - Alignment Sleeves: SM Ceramic/MM Phosphor Bronze
 - Dust Cap: PP, Color: Neutral transparent
 - Operating Temperature: -40°C to +85°C
- Connector can be front or rear mounted to a maximum panel thickness of 3.2mm.
- IP67 rated when covered or fully mated with the appropriate mating connector

ⓈⓈ The panel gasket (P/N: 17-103540) and the M3 mounting hardware (P/N: 17-103530) must be ordered separately, the recommended mounting torque is 8 to 10 lb-inch

Description	Part Number
Single Mode (SM)	17-300440
Multi Mode (MM)	17-300450
APC Single Mode (APC SM)	17-300460

Directive 2002/95/EC RoHS Compliant

THIS DRAWING MAY NOT BE COPIED OR REPRODUCED IN ANY MANNER AND MAY NOT BE PASSED ON TO A THIRD PARTY WITHOUT WRITTEN PERMISSION. OWNERSHIP AND COPYRIGHT OF CONECC CORPORATION DO NOT ALTER CAD DRAWING BY HAND	Customer:			Tolerance Unless otherwise specified 0 PLC ±0.50 1 PLC ±0.38 2 PLC ±0.25 3 PLC ±0.10 ANGLES ±.7		Scale:	Dim. in mm		
	Name	Title	Approval Date			2011	Date	Name	Material: See Notes
						Draw.	Nov. 09	Vincent Ke	Title: IP67 Industrial Duplex LC Receptacle (with Flange) Assembly Kit
						Appd.	Nov. 09	J. Chaudry	Nickel Plated Zinc Die-Cast Version
	d	1 x d	Sep/25/2013	Vincent Ke	Norm		Drawing No.: 17K1A304	DIN A3	
	c	1 x c	Mar/08/2013	Vincent Ke	D-old		Part No.: SEE PART NUMBER TABLE	Sheet 1/1	
	b	1 x b	Apr/23/2012	Vincent ke					
	a	original							
	Rev.	Changes	Date	Name	CONEC				

Mouser Electronics

Authorized Distributor

Click to View Pricing, Inventory, Delivery & Lifecycle Information:

[CONEC:](#)

[17-300440](#)