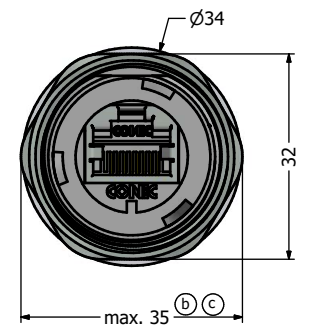
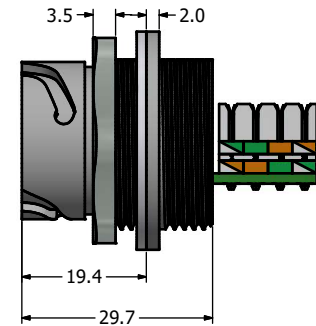
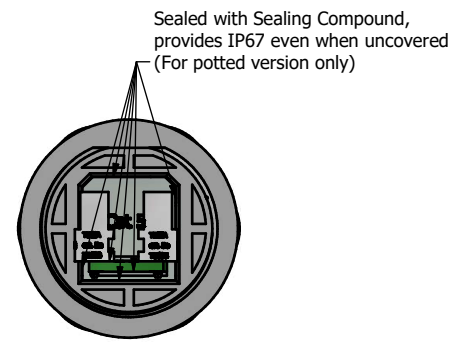
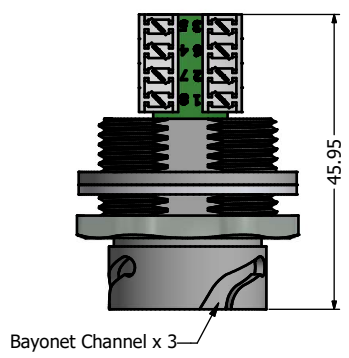


Shielded Cat.5e RJ45 IDC Jack accepts both Solid and Stranded AWG 24 to 26 Wires



- Notes:**
- Electrical Specifications:
    - Meets EIA/TIA-568-B.2 Cat.5e Specification
    - Contact Resistance: 20mOhm max.
    - Insulation Resistance: 500MOhm min. @ 100 VDC
    - Current Rating: 1.2A max. at 25° C
    - Working Voltage: 100 VDC
    - DWV: 1000 VDC/60s Contact to Contact, 1500 VDC/60s Contact to Metal Shell
    - Operating Temperature: -40° C to +85° C

- Material and Finish:
  - Receptacle Housing: Polyester (Color: See Part Number Table); UL94 V-0
  - Protective Cover: Polyester (Black); UL94 V-0
  - Panel Nut: Brass, Finish: Nickel Plated
  - Panel Gasket: Silicon, Color: White
  - Cover Gasket: Silicon, Color: White
  - Tether: Polycarbonate, Color: Black
  - Cat.5e RJ45 IDC Jack Metal Shell: Copper Alloy, Nickel Plated
  - Cat.5e RJ45 IDC Jack Plastic Housing: Glass filled PBT UL94 V-0, Color: Black
  - Cat.5e RJ45 IDC Jack Contacts: Phosphor Bronze, Finish: 50u" Gold min. over Nickel
- Connector can be front or rear mounted to a maximum panel thickness of 3.2mm.
- IP67 rated when covered or fully mated with the appropriate mating connector
- Recommended Mounting Panel Nut Torque is 20 to 25 lb-inch

RoHS compliant

Description	Potted Colored Plastic Receptacle Housing with Shielded Cat.5e RJ45 IDC Jack + Black Cover					
Plastic Receptacle Housing Color	Black	Blue	Green	Yellow	Red	White
Part Number	17-10037	17-102714	17-102724	17-102734	17-102744	17-102754

THIS DRAWING MAY NOT BE COPIED OR REPRODUCED WITHOUT THE WRITTEN PERMISSION OF CONEC CORPORATION. OWNERSHIP AND COPYRIGHT OF CONEC CORPORATION.	Customer:			Tolerance Unless otherwise specified			Scale: 1.2:1	Dim. in mm
	Name	Title	Approval Date	0 PLC ±0.50	1 PLC ±0.38		Material: See Notes Title: <b>Potted Receptacle &amp; Cover Kit</b> Colored Plastic Receptacle Housing with Shielded Cat. 5e RJ45 IDC Jack	
				2 PLC ±0.25	3 PLC ±0.10	Drawing No.: 17K1A195 Part No.: SEE PART NUMBER TABLE		
				Norm	ANGLES ±3°			DIN A3 Sheet 1/1
1 x c Ä21-0426 29.10.2021 Bub D-old b Mar/08/2011 Vincent ke a original Rev Changes Date Name								

# Mouser Electronics

Authorized Distributor

Click to View Pricing, Inventory, Delivery & Lifecycle Information:

[CONEC:](#)

[17-102754](#)