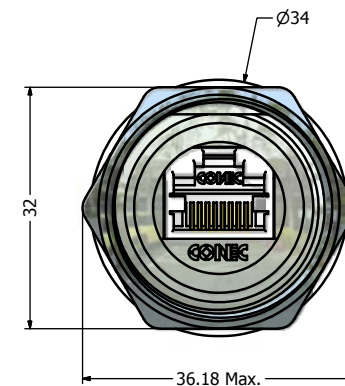
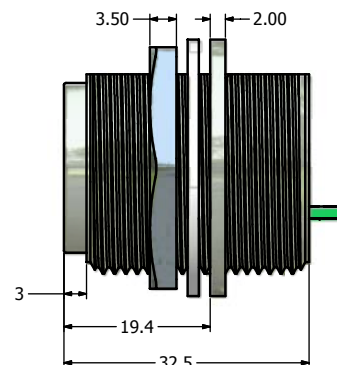
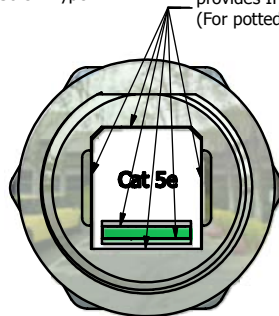


Sealed with Sealing Compound, provides IP67 even when uncovered (For potted version only)



### Notes:

#### 1. Electrical Specifications:

- Meets EIA/TIA-568-B.2 Cat.5e Specification
- Contact Resistance: 20mOhm max.
- Insulation Resistance: 500MOhm min. @ 100 VDC
- Current Rating: 1.2A max. at 25° C
- Working Voltage: 100 VDC
- DWV: 1000 VDC/60s Contact to Contact, 1500 VDC/60s Contact to Metal Shell
- Operating Temperature: -40° C to +85° C

#### 2. Material and Finish:

- Receptacle Housing: Brass, Nickel Plated
- Panel Nut: Brass, Nickel Plated
- Panel Gasket: Silicone, Color: White
- RJ45 PCB Jack Metal Shell: Copper Alloy, Nickel Plated
- RJ45 PCB Jack Plastic Housing: Glass filled PBT UL94 V-0, Color: Black
- RJ45 PCB Jack Contacts: Phosphor Bronze, Finish: 50u" Gold min. over Nickel

#### 3. Connector can be front or rear mounted to a maximum panel thickness of 3.2mm.

#### 4. RoHS compliant

Directive 2002/95/EC  
"RoHS"  
Compliant

Description	Part Number
Metal Version with Shielded RJ45 PCB Jack	17-101594
Potted Metal Version with Shielded RJ45 PCB Jack	17-101634

THIS DRAWING MAY NOT BE COPIED, REPRODUCED, IN ANY WAY AND MAY NOT BE PASSED ON TO A THIRD PARTY WITHOUT WRITTEN PERMISSION. OWNERSHIP AND COPYRIGHT OF CONEC CORPORATION	Customer:			Tolerance Unless otherwise specified		Autodesk Inventor	Scale: 1.5:1	Dim. in mm		
	Name	Title	Approval Date	0 PLC ±0.50	1 PLC ±0.38		<table border="1"> <tr> <td>2 PLC ±0.25</td> <td rowspan="3">                 Title: Receptacle Assembly Kit with Shielded Cat. 5e RJ45 IDC Jack Metal Version             </td> </tr> <tr> <td>3 PLC ±0.10</td> </tr> <tr> <td>ANGLES ±3</td> </tr> </table>	2 PLC ±0.25	Title: Receptacle Assembly Kit with Shielded Cat. 5e RJ45 IDC Jack Metal Version	3 PLC ±0.10
	2 PLC ±0.25	Title: Receptacle Assembly Kit with Shielded Cat. 5e RJ45 IDC Jack Metal Version								
	3 PLC ±0.10									
	ANGLES ±3									
			2009	Date	Name	Drawing No.: 17K1A248				
			Draw.	Jun. 03	Vincent Ke					
			Appd.	Jun. 03	J. Chaudry	Part No.: SEE P/N TABLE				
			Norm							
			D-old			DIN A3				
	b	Aug/26/09	Vincent Ke			Sheet 1/1				
	a	original								
	Rev.	Changes	Date	Name						



# Mouser Electronics

Authorized Distributor

Click to View Pricing, Inventory, Delivery & Lifecycle Information:

[CONEC:](#)

[17-101594](#) [17-101634](#)