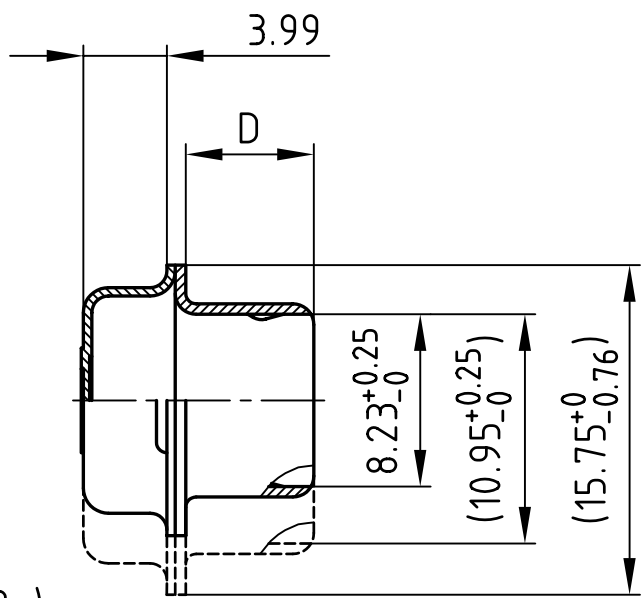
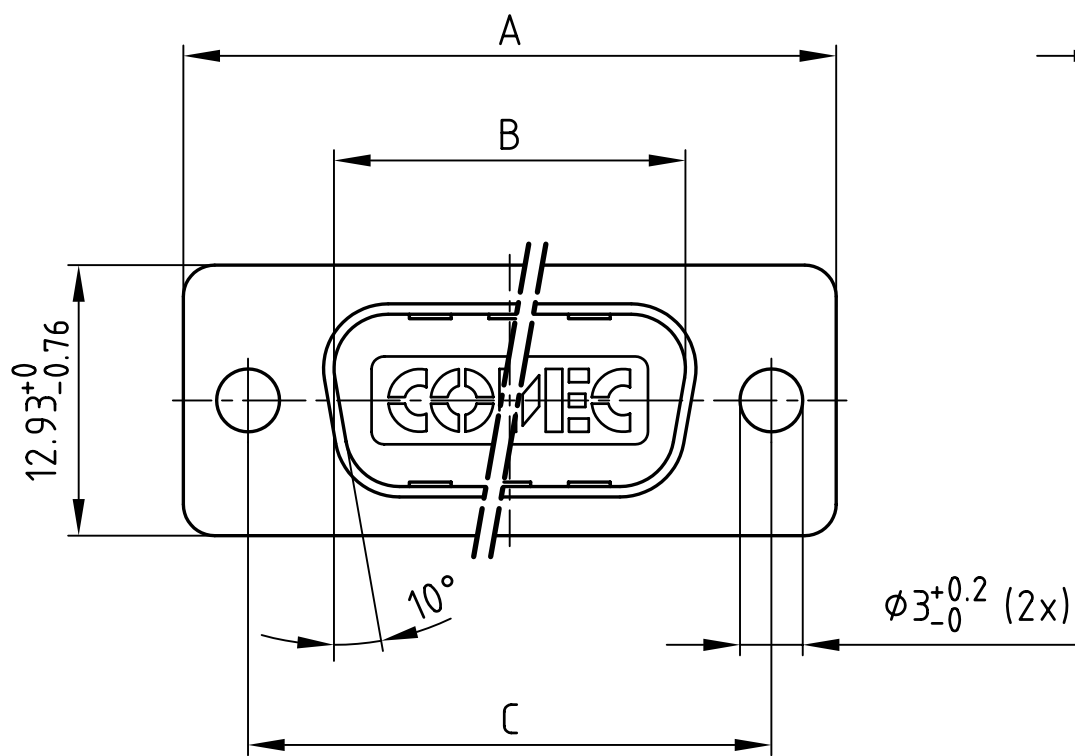
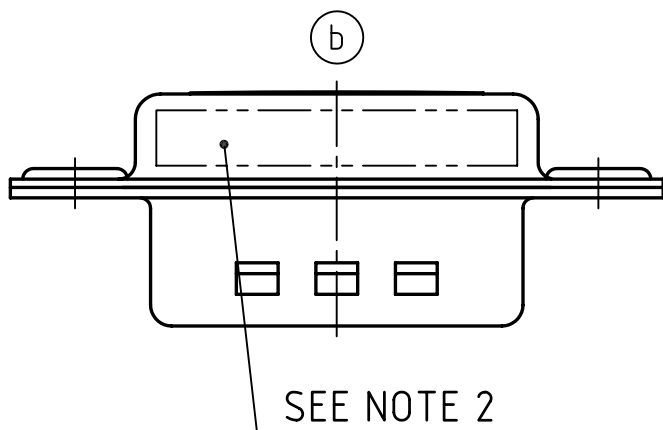


used for: D-SUB



Dimensions in (---) = 50pos.



(b)

No. of pos.	A ^{-0.76}	B ^{-0.25}	C	D ^{-0.3}	Part No. Bulk Package	Part No. Single Package
9	31.19	16.79	25.00 ^{+0.12} _{-0.13}	6.12	165X12969X	165X12969XE
15	39.52	25.12	33.30 ^{+0.15} _{-0.1}	6.12	165X12979X	165X12979XE
25	53.42	38.84	47.04 ±0.13	5.99	165X12989X	165X12989XE
37	69.70	55.30	63.50 ±0.13	5.99	165X12999X	165X12999XE
50	67.31	52.68	61.10 ^{+0.14} _{-0.11}	5.99	165X13009X	165X13009XE



NOTES:

1. METALSHELLS: STEEL; min. 315µin TIN over 40-80µin NICKEL
2. CONNECTOR IS PART MARKED: [PART NO. CONEC ABC]

THIS DRAWING MAY NOT BE COPIED OR REPRODUCED IN ANY WAY, AND MAY NOT BE PASSED ON TO A THIRD PARTY WITHOUT WRITTEN PERMISSION.
 OWNERSHIP AND COPYRIGHT OF CONEC GmbH
 DO NOT ALTER CAD DRAWING BY HAND

				tolerance				scale: 2:1	
				material:		SEE NOTES			
				2002	date	name			
				drawn	27.03.	Schmidt			
				appd.	27.03.	Mickenbecker			
				norm	DIN 41652				
				d-old	KAT11Y4A				
2 x b	Ä 3616	30.03.2010	Lehmen.	CONEC [®]					
a	Origin								
rev.	description	date	name						

title:		Covered screen cap 9-50pos. for Socket connector for EMI/RFI	
dwg no:		AutoCAD 2000	DIN-A
		16K1A623	4
		sh: 1/1	
part no:		SEE TABLE	

4

3

2

1

Mouser Electronics

Authorized Distributor

Click to View Pricing, Inventory, Delivery & Lifecycle Information:

[CONEC:](#)

[165X12969X](#) [165X12999X](#)