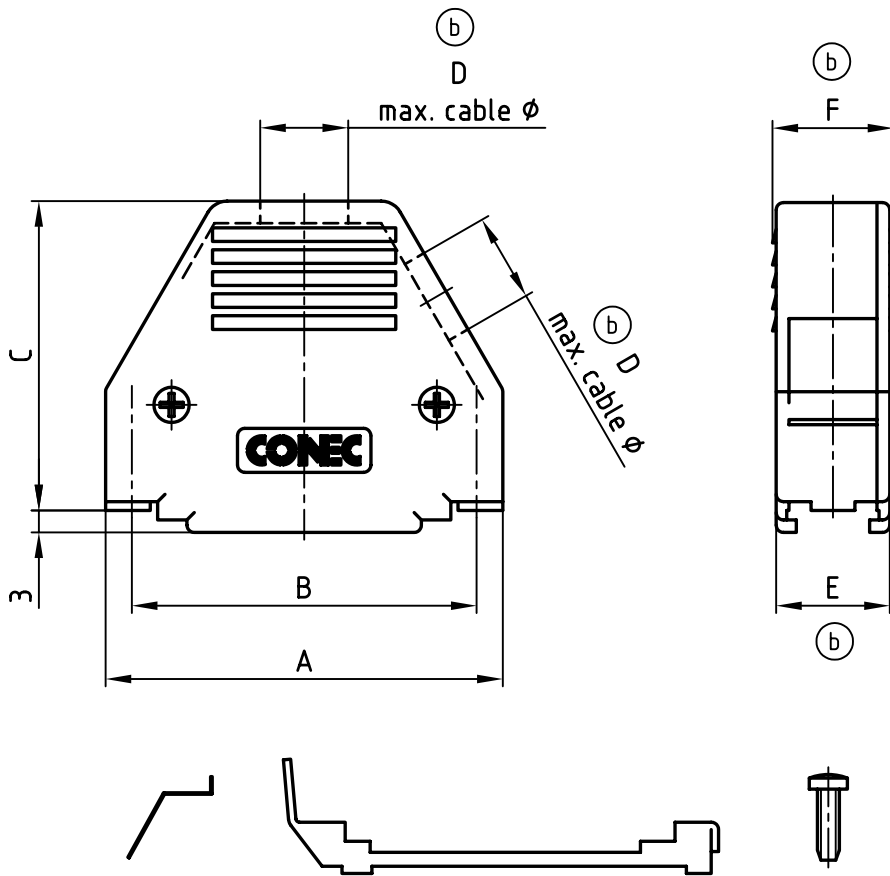


used for: D-SUB



SLIDE LOCK

POS.	A	B	C	D max. cable $\phi$	E	F	Part No: Bulk package
9	32.0	25.0	36.7	6.3	15.5	16.5	165X11279X
15	40.0	33.3	38.2	8.0	15.5	16.5	165X11289X
25	54.2	47.0	42.2	10.5	15.5	16.5	165X11299X (165X11299X-S)
37	70.6	63.5	47.2	11.5	15.5	16.5	165X11309X
50	68.2	61.1	47.2	13.7	19.6	20.6	165X16549X

**MATERIAL:**  
 HOOD: ABS UL 94 V-0; BLACK  
 SLIDE LOCK: STEEL; NICKEL PLATED  
 SPRING: STEEL; TIN PLATED

THIS DRAWING MAY NOT BE COPIED OR REPRODUCED IN ANY WAY, AND MAY NOT BE PASSED ON TO A THIRD PARTY WITHOUT WRITTEN PERMISSION.  
 OWNERSHIP AND COPYRIGHT OF CONEC GmbH  
 DO NOT ALTER CAD DRAWING BY HAND

tolerance			
2000	date	name	
drawn	03.07.	A. Mickenbecker	
appd.	03.07.	E. Mickenbecker	
norm			
d-old			
6x b	Ä 2620	05.12.2006	ES
rev.	description	date	name



scale:	1:1
material:	SEE NOTES
title:	<b>PLASTIC HOOD</b> 9-50pos. with top and side cable exit with slide lock
dwg no:	AutoCAD 2000
	DIN-A
	4
	sh: 1/1
product no:	SEE TABLE

16K1A024A

# Mouser Electronics

Authorized Distributor

Click to View Pricing, Inventory, Delivery & Lifecycle Information:

[CONEC:](#)

[165X11279X](#)