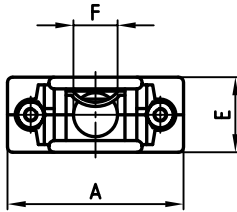
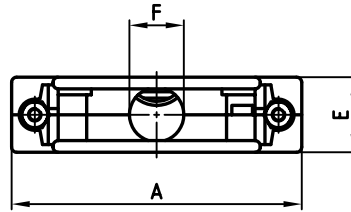


used for: D-SUB

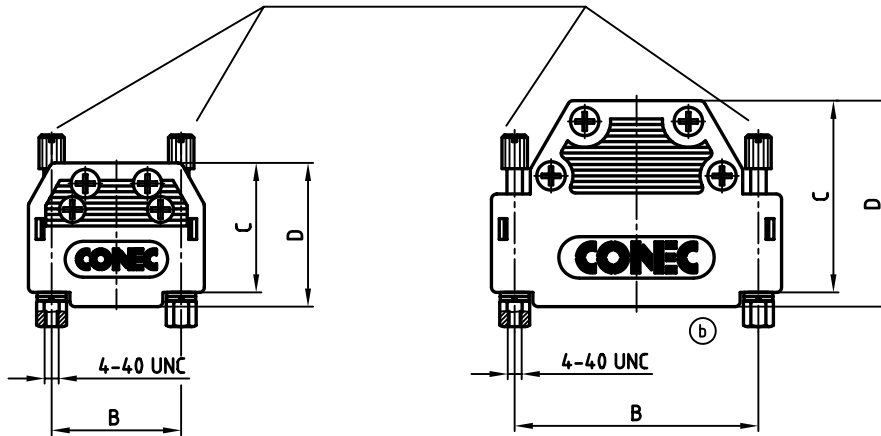
9 pos.



15-37 pos.

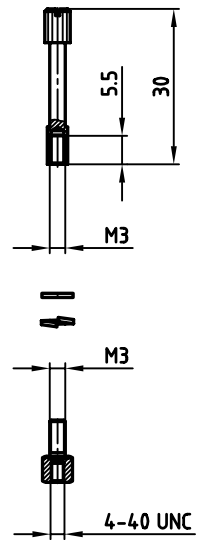


SEE DETAIL VIEW



DETAIL VIEW

SCREW LOCK



| No. of pos. | A | B | C | D | E | F | Part No: |
|-------------|------|------|------|-------|------|------|------------|
| 9 | 34.0 | 25.0 | 25.0 | 27.75 | 14.5 | 8.5 | 165X11009X |
| 15 | 42.3 | 33.3 | 37.0 | 39.75 | 14.5 | 10.0 | 165X11019X |
| 25 | 56.0 | 47.0 | 37.0 | 39.75 | 14.5 | 10.5 | 165X11029X |
| 37 | 72.5 | 63.5 | 37.0 | 39.75 | 14.5 | 10.5 | 165X11039X |

(b)

Directive 2002/95/EC
"RoHS"
Compliant

NOTES:

- HOOD MATERIAL: ABS V0 / METALLIZED
- SCREWLOCK: MATERIAL: BRASS NICKEL-PLATING

APPROVAL * FREIGABE * DEBLOCAGE * AUTORIZACION * APPROVAL

CUSTOMER APPROVAL DATE:

NAME: TITLE:

COMPANY NAME:

APPROVAL * FREIGABE * DEBLOCAGE * AUTORIZACION * APPROVAL

THIS DRAWING MAY NOT BE COPIED OR REPRODUCED IN ANY WAY, AND MAY NOT BE PASSED ON TO A THIRD PARTY, WITHOUT WRITTEN PERMISSION. OWNERSHIP AND COPYRIGHT OF CONEC GmbH DO NOT ALTER CAD DRAWING BY HAND

| rev. | description | date | name |
|-------|-------------|------------|------|
| 5 x b | Ä 2286 | 02.08.2005 | HS |

| 2002 | date | name |
|-------|----------|--------------|
| drawn | 04.03. | Schmidt |
| appd. | 04.03. | Mickenbecker |
| norm | | |
| d-old | KAT11YSA | |

CONEC

tolerance dim. in mm

scale: 1:1

material: SEE NOTES

title: PLASTIC HOOD with staight cable exit and screw lock, 9-37 pos. (b)

dwg no: AutoCAD 2000 DIN-A 3 sh: 1/1

part no: SEE TABLE

Mouser Electronics

Authorized Distributor

Click to View Pricing, Inventory, Delivery & Lifecycle Information:

[CONEC:](#)

[165X11019X](#) [165X11029X](#)