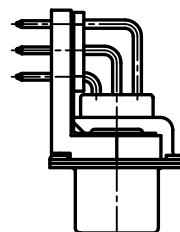
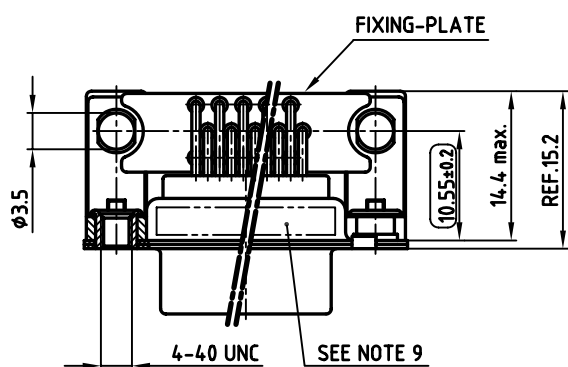
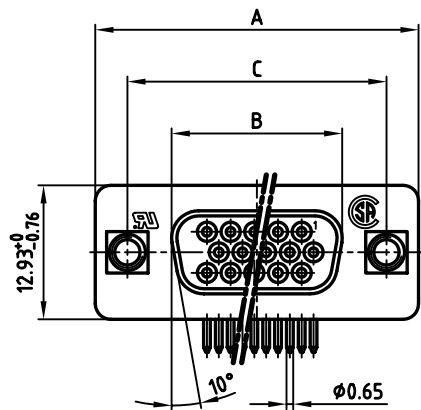
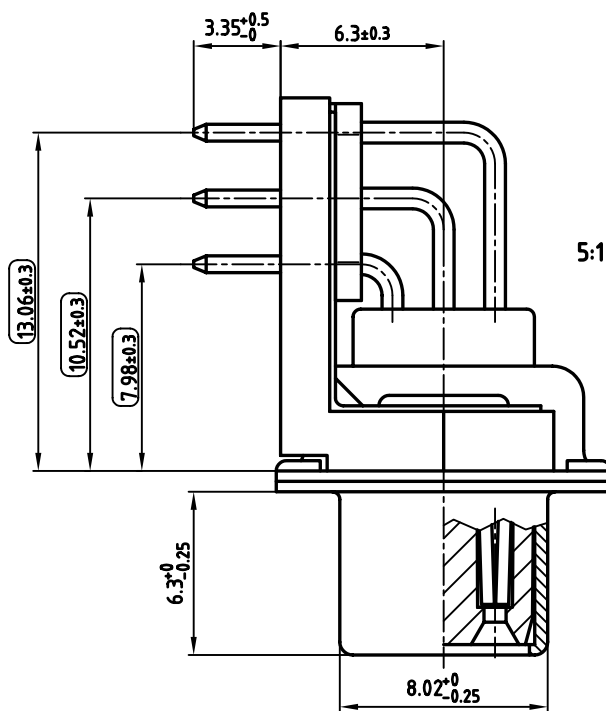


used for: D-SUB

POS.	A ^{-0.76}	B ^{-0.25}	C ^{+0.12 -0.13}	Part NO.
15	31.19	16.46	25.00	164A18019X
26	39.52	24.79	33.30	164A18029X
44	53.42	38.50	47.04	164A18039X
62	69.70	54.96	63.50	164A18049X



NOTES:

- METALSHELLS: STEEL; min. 320µ" TIN
- INSULATORS: PBT GF UL 94 V-0, BLACK
- CONTACTS: COPPER ALLOY
PLATING: 8µ" HARD GOLD OVER min. 50µ" NICKEL
- MOUNTING BRACKET: PBT GF UL 94 V-0, BLACK
- THREADED INSERT: COPPER ALLOY; min. 200µ" TIN OVER 80µ" NICKEL
- FIXING-PLATE: PBT GF UL 94 V-0, BLACK
- P.C.B. HOLE DRILLINGS ON DRAWING NO.: 16V11H6B
- MAXIMUM TORQUE VALUE FOR THREAD: 6" LBS
- CONNECTOR IS PART MARKED: PART-NO. CONEC ABC
- = CHECK DIMENSION

Directive 2002/95/EC
RoHS*
Compliant

APPROVAL * FREIGABE * DEBLOCAGE * AUTORIZACION * APPROVAL	
CUSTOMER APPROVAL DATE:	
NAME:	TITLE:
COMPANY NAME:	
APPROVAL * FREIGABE * DEBLOCAGE * AUTORIZACION * APPROVAL	

THIS DRAWING MAY NOT BE COPIED OR REPRODUCED IN ANY WAY, AND MAY NOT BE PASSED ON TO A THIRD PARTY, WITHOUT WRITTEN PERMISSION. OWNERSHIP AND COPYRIGHT OF CONEC GmbH DO NOT ALTER CAD DRAWING BY HAND

rev.	description	date	name

tolerance		 dim. in mm
2005	date	
drawn	11.02.	name
appd.	14.02.	Mickenbecker
norm	DIN 41652	
d-old		

scale:	2:1 (5:1)	
material:	SEE NOTES	
title:	D-SUB HD FEMALE 90° 15-62pos. 0.350inch threaded insert, mounting + grounding bracket	
dwg no:	AutoCAD 2004	DIN-A
	16K1A1326	3
		sh: 1/1
part no:	SEE TABLE	

Mouser Electronics

Authorized Distributor

Click to View Pricing, Inventory, Delivery & Lifecycle Information:

[CONEC:](#)

[164A18029X](#)