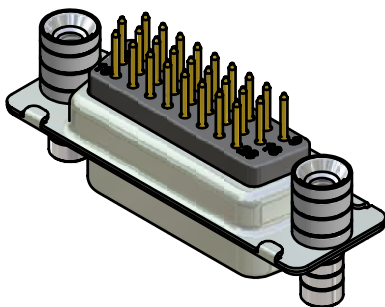
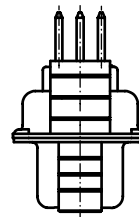
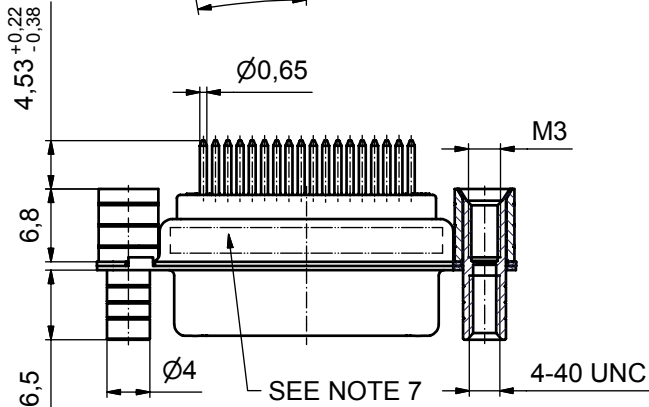
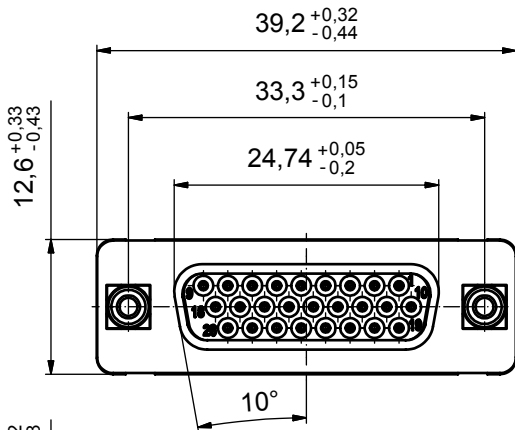
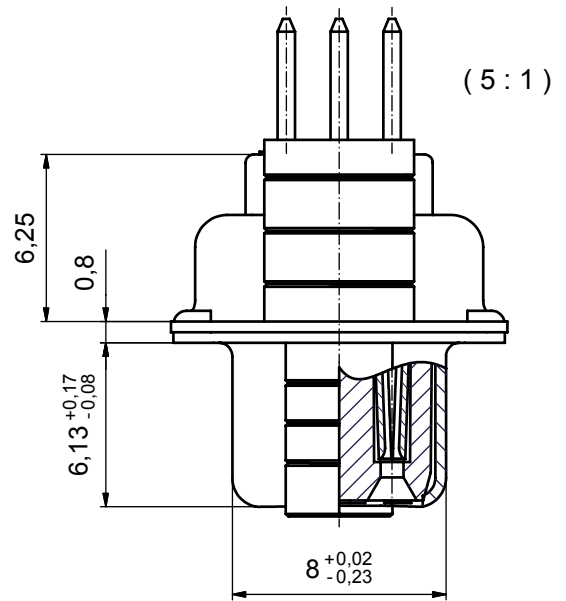


P.C.B. HOLE DRILLINGS



NOTES:

1. METALSHELLS: STEEL; min. 315µ" TIN over 40-80µ" NICKEL
2. INSULATORS: PBT GF UL 94 V-0, BLACK
3. CONTACTS: COPPER ALLOY
PLATING MATING AREA: 8µ" HARD GOLD over min. 50µ" NICKEL
4. THREADED REAR SPACER/FRONT THREADED LOCK: COPPER ALLOY; min. 200µ" TIN over 80µ" NICKEL
5. SLEEVE: COPPER ALLOY; min. 200µ" TIN over 80µ" NICKEL
6. MAXIMUM TORQUE VALUE FOR THREAD: 6 in.LB
7. CONNECTOR IS PART MARKED: 164A17319X CONEC ABC

Directive 2002/95/EC
RoHS
Compliant

APPROVAL # FREIGABE # DEBLOCAGE # AUTORIZACION # APPROVAL	
CUSTOMER APPROVAL DATE:	
NAME:	TITLE:
COMPANY NAME:	
APPROVAL # FREIGABE # DEBLOCAGE # AUTORIZACION # APPROVAL	

THIS DRAWING MAY NOT BE COPIED OR REPRODUCED IN ANY WAY, AND MAY NOT BE PASSED ON TO A THIRD PARTY WITHOUT WRITTEN PERMISSION. OWNERSHIP AND COPYRIGHT OF CONEC GmbH DO NOT ALTER CAD DRAWING BY HAND	finish:	SEE NOTES	tolerance:	dim. in mm	scale:	2:1 (5:1)
	date:	22.06.06	name:	Lehmenkühler	material:	SEE NOTES
	appd.:	22.06.06	norm:	Kühle	title:	D-SUB HD FEMALE
	d-old:				26 pos. SOLDER PIN STRAIGHT	threaded rear spacer and front threaded lock
	a	Origin			dwg no:	Inventor
rev.	description	date	name	part no:		164A17319X



dwg no:	Inventor	DIN-A3
part no:	164A17319X	sh: 1

Mouser Electronics

Authorized Distributor

Click to View Pricing, Inventory, Delivery & Lifecycle Information:

[CONEC:](#)

[164A17319X](#)