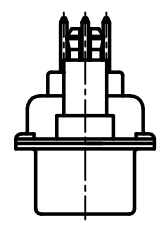
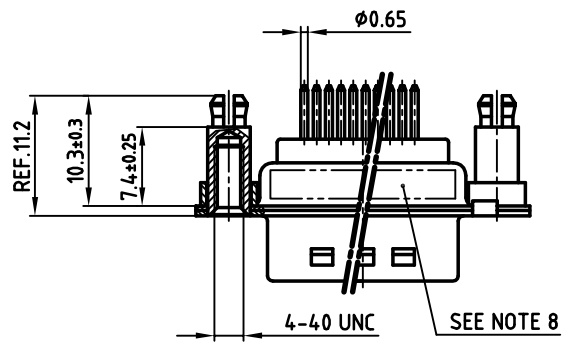
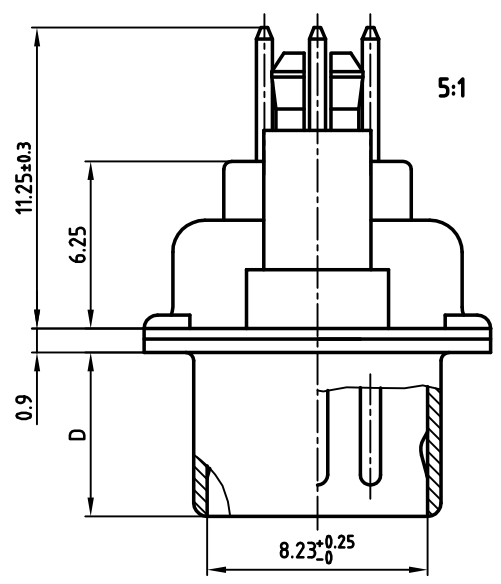
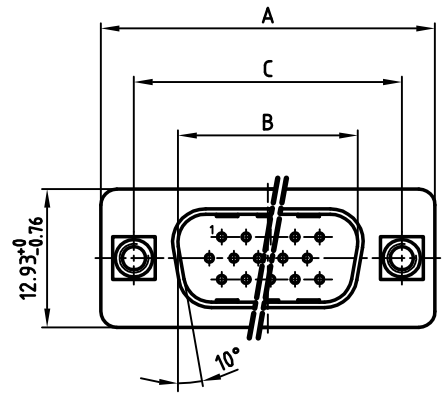


used for: D-SUB HD



NOTES:

1. METALSHELLS: STEEL; min. 320µ" TIN
2. INSULATORS: PBT GF UL 94 V-0, BLACK
3. CONTACTS: COPPER ALLOY
PLATING: 8µ" HARD GOLD OVER min. 50µ" NICKEL
4. THREADED SPACER CLIP: COPPER ALLOY; min. 200µ" TIN over 80µ" NICKEL
PCB-HOLE: $\phi 3.1 \pm 0.1$; PCB THICKNESS 1.6mm
5. COLLAR: COPPER ALLOY; min. 200µ" TIN over 80µ" NICKEL
6. P.C.B. HOLE DRILLINGS ON DRAWING NO.: 16V1H5B
7. MAXIMUM TORQUE VALUE FOR THREAD: 6" LBS
8. CONNECTOR IS PART MARKED: PART-NO. CONEC ABC

POS.	A -0.76	B +0.25	C	D -0.3	Part NO.
15	31.19	16.79	25.00 +0.12/-0.13	6.12	163A16949X
26	39.52	25.12	33.30 +0.15/-0.1	6.12	163A16959X
44	53.42	38.84	47.04 ±0.13	5.99	163A16969X
62	69.70	55.30	63.50 ±0.13	5.99	163A16979X

APPROVAL * FREIGABE * DEBLOCAGE * AUTORIZACION * APPROVAL

CUSTOMER APPROVAL DATE:

NAME: TITLE:

COMPANY NAME:

APPROVAL * FREIGABE * DEBLOCAGE * AUTORIZACION * APPROVAL

THIS DRAWING MAY NOT BE COPIED OR REPRODUCED IN ANY WAY, AND MAY NOT BE PASSED ON TO A THIRD PARTY WITHOUT WRITTEN PERMISSION.
 OWNERSHIP AND COPYRIGHT OF CONEC GmbH
 DO NOT ALTER CAD DRAWING BY HAND

rev.	description	date	name

tolerance	dim. in mm
2005	date
drawn	16.03.
name	Lehmenkühler
appd.	16.03.
name	Mickenbecker
norm	DIN 41652
d-old	

scale: 2:1 (5:1)

material: SEE NOTES

title: **D-SUB HD MALE**
15-62pos. SOLDER PIN STRAIGHT
with threaded spacer clip

dwg no: AutoCAD 2004 DIN-A
3 sh: 1/1

16K2A645

part no: SEE TABLE



Mouser Electronics

Authorized Distributor

Click to View Pricing, Inventory, Delivery & Lifecycle Information:

[CONEC:](#)

[163A16969X](#)