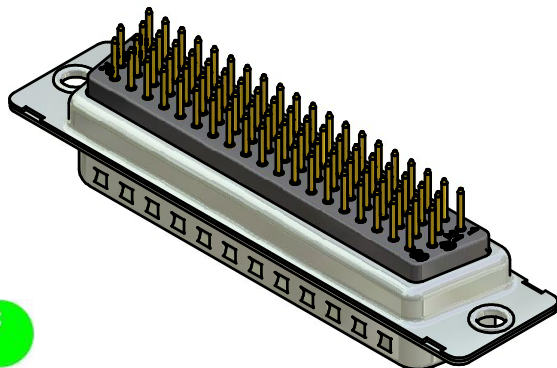
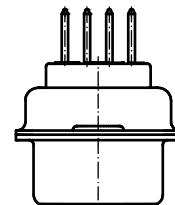
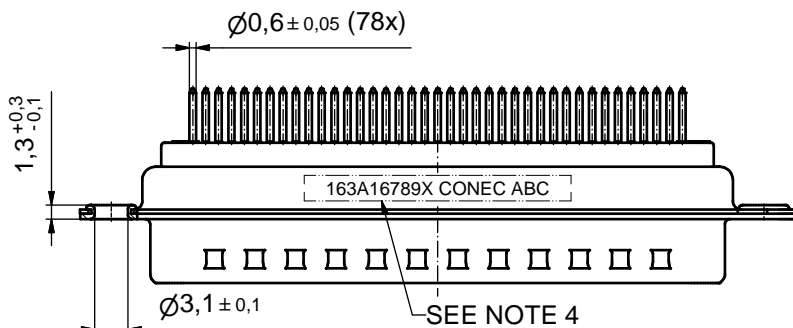
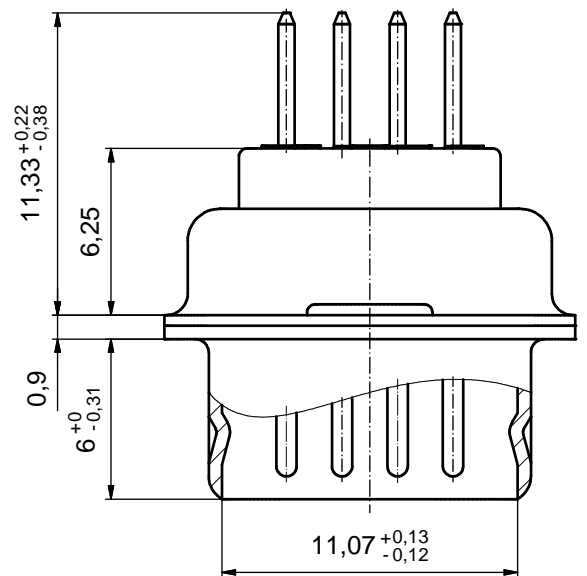
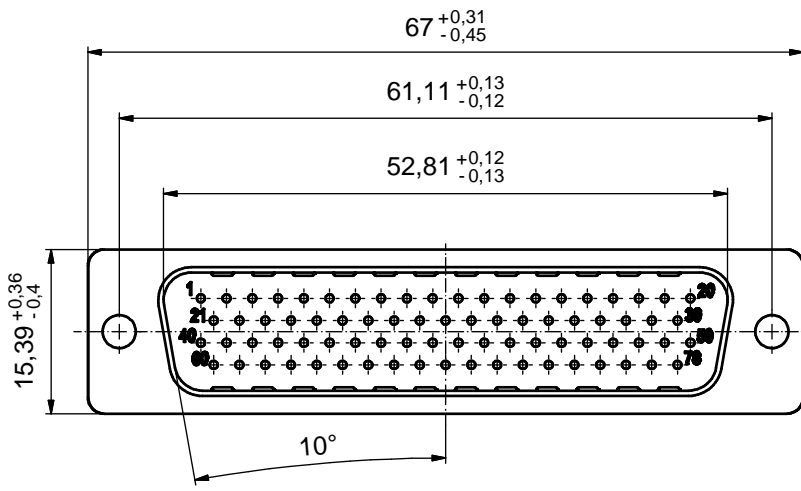


(5 : 1)



NOTES:

- METALSHELLS: STEEL; min. 315µm TIN over 40-80µm NICKEL
- INSULATORS: PBT GF UL 94 V-0, BLACK
- CONTACTS: COPPER ALLOY;  
PLATING: 8µm HARD GOLD over min. 50µm NICKEL
- CONNECTOR IS PART MARKED: 163A16789X CONEC ABC

Directive 2002/95/EC  
„RoHS“  
Compliant

|   |        |
|---|--------|
| APPROVAL # FREIGABE # DEBLOCAGE # AUTORIZACION # APPROVAL |        |
| CUSTOMER APPROVAL DATE:                                   |        |
| NAME:   | TITLE: |
| COMPANY NAME:   |        |
| APPROVAL # FREIGABE # DEBLOCAGE # AUTORIZACION # APPROVAL |        |

|  |             |      |      |
|--|-------------|------|------|
| THIS DRAWING MAY NOT BE COPIED OR REPRODUCED IN ANY WAY, AND MAY NOT BE PASSED ON TO A THIRD PARTY WITHOUT WRITTEN PERMISSION. OWNERSHIP AND COPYRIGHT OF CONEC GmbH |             |      |      |
| DO NOT ALTER CAD DRAWING BY HAND   |             |      |      |
| rev.   | description | date | name |
| a  | Origin      |      |      |

|                   |            |
|-------------------|------------|
| tolerance         | dim. in mm |
| date              | name       |
| drawn: 26.10.2009 | Sonnenberg |
| appd.: 26.10.2009 | Koch       |
| norm              |            |
| d-old             |            |
| <b>CONEC</b>      |            |

|           |   |        |
|-----------|---|--------|
| scale:    | 2:1 (5:1)                                   |        |
| material: | SEE NOTES                                   |        |
| title:    | D-SUB HD MALE<br>78pos. SOLDER PIN STRAIGHT |        |
| dwg no:   | Inventor 10                                 | DIN-A3 |
|           | 16K1A2566                                   | sh: 1  |
| part no:  | 163A16789X                                  |        |

# Mouser Electronics

Authorized Distributor

Click to View Pricing, Inventory, Delivery & Lifecycle Information:

[CONEC:](#)

[163A16789X](#)