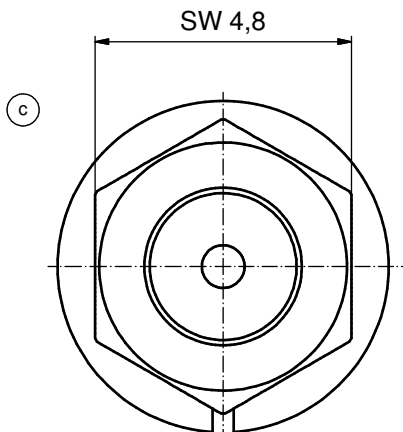
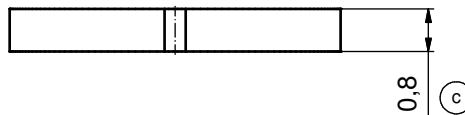
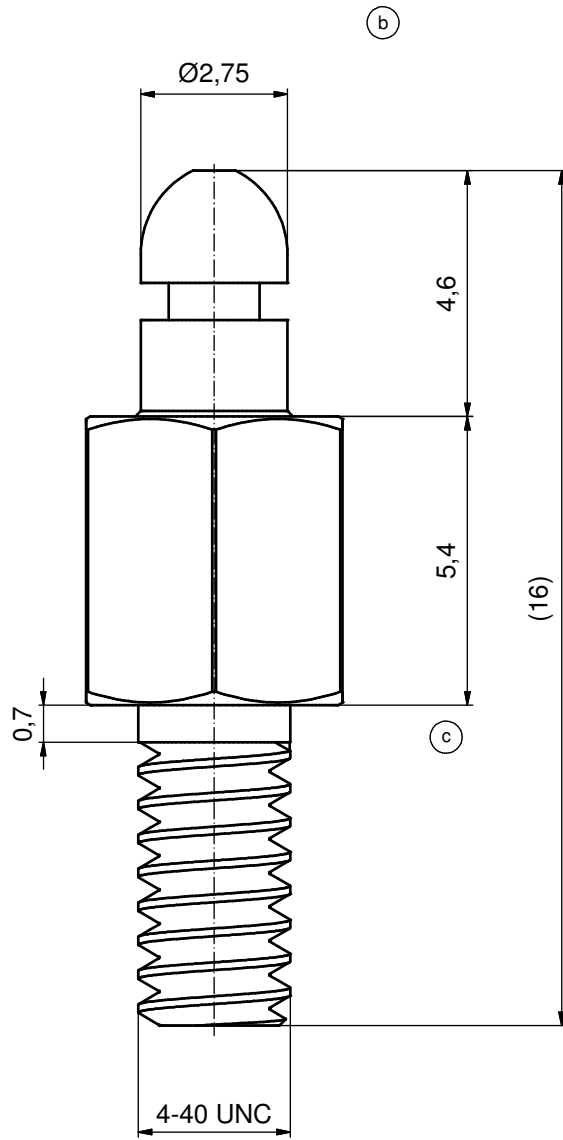
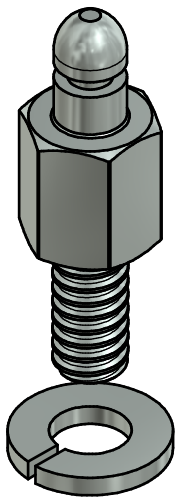
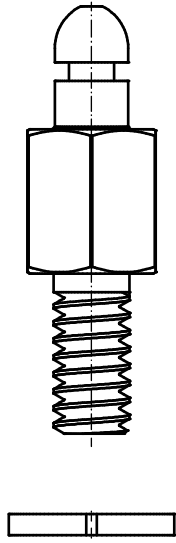


A set consists of:

- 2 detent pin
- 2 spring washer



NOTES:

1. Detent pin: Steel; Nickel plated
2. Spring washer: Steel; Nickel plated

RoHS compliant

THIS DRAWING MAY NOT BE COPIED OR REPRODUCED IN ANY WAY, AND MAY NOT BE PASSED ON TO A THIRD PARTY WITHOUT WRITTEN PERMISSION. OWNERSHIP AND COPYRIGHT OF CONEC GmbH				tolerance ISO 2768-m			scale:	10:1	
				date			name		material:
DO NOT ALTER CAD DRAWING BY HAND				drawn	22.10.14	Henneboel	title: Detent Pin with threaded 4-40 UNC for Snap Lock with spring ring		
				appd.	22.10.14	Strakerjahn			
3 x c				Ä5856	15.10.2015	K.H.	d-old	dwg no:	
2 x b				Ä5449	09.12.2014	B.S.	16K1A3544		DIN-A3
a				Original			part no:		sh: 1
rev.				description	date	name	16-002190		



Mouser Electronics

Authorized Distributor

Click to View Pricing, Inventory, Delivery & Lifecycle Information:

[CONEC:](#)

[16-002190E](#)