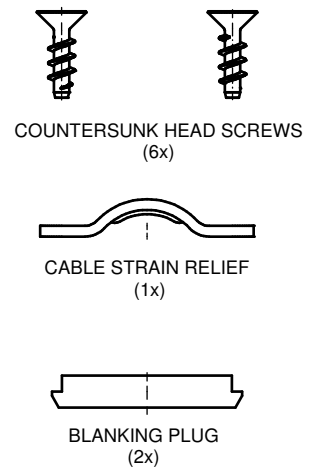
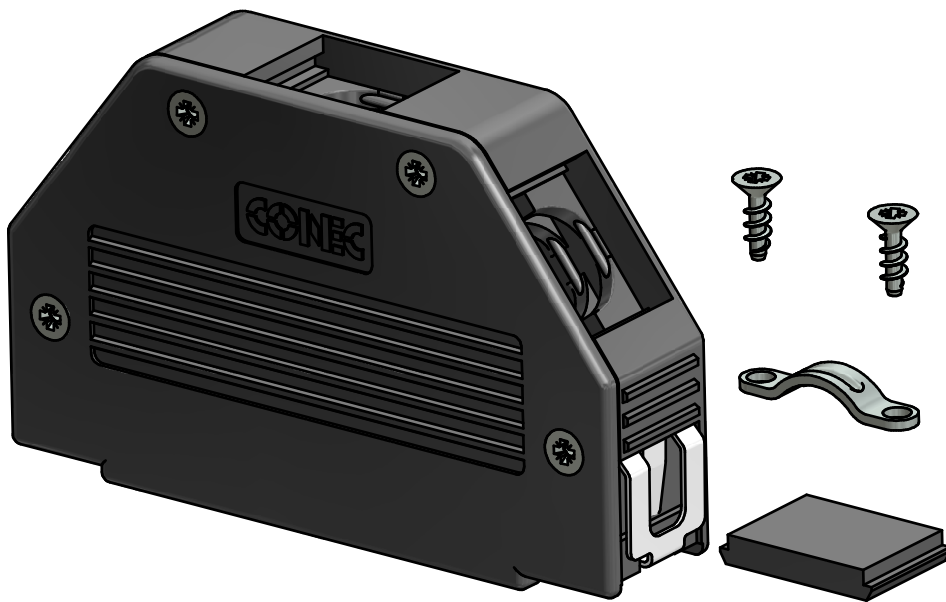
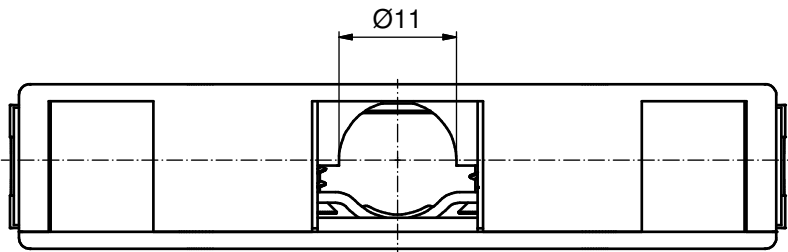
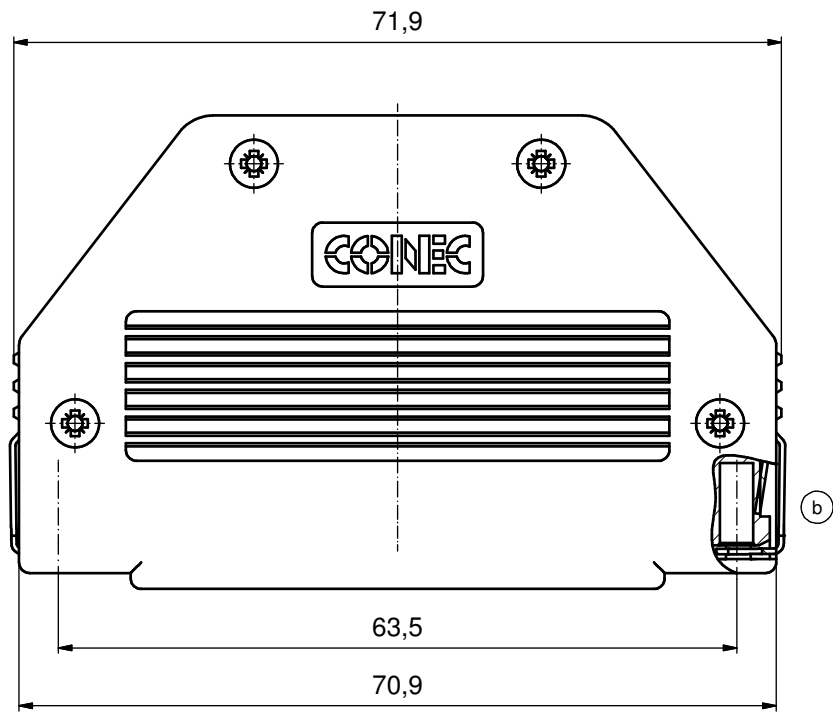
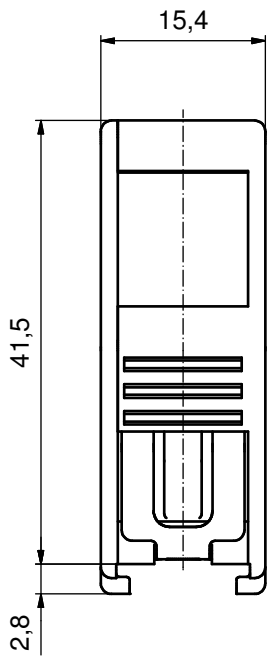
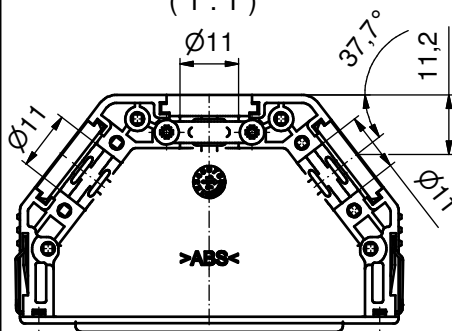


6 5 4 3 2 1



view without cover (1:1)



RoHS compliant

HOOD ASSEMBLY CONSISTS OF:

- (b) 1. HOOD + COVER: ABS UL 94 V-0; BLACK
- 2. BLANKING PLUGS: ABS UL 94 V-0; BLACK
- 3. CABLE STRAIN RELIEF: STEEL; NICKEL PLATED
- 4. CLIP: STAINLESS STEEL
- 5. COUNTERSUNK HEAD SCREWS: STEEL; NICKEL PLATED

| Part-No. | Part-No. |
|--------------|----------------|
| Bulk package | Single package |
| 16-001840 | 16-001840E |

| | | | | | | |
|---|-------------|------------|-------------|----------------------------|---|--------|
| THIS DRAWING MAY NOT BE COPIED OR REPRODUCED IN ANY WAY, AND MAY NOT BE PASSED ON TO A THIRD PARTY WITHOUT WRITTEN PERMISSION. OWNERSHIP AND COPYRIGHT OF CONEC GmbH DO NOT ALTER CAD DRAWING BY HAND | tolerance | | dim. in mm | | scale: 2:1 (1:1) | |
| | material: | | see drawing | | title: | |
| | drawn | 13.11.12 | date | name | Plastic Hood 37pos with Snap Lock / top and two sides cable exit | |
| | appd. | 06.05.14 | norm | | | |
| 2 x b | Ä5619 | 22.04.2015 | K.H. | d-old | | |
| 3 x b | Ä5357 | 25.09.2014 | K.H. | dwg no: | | DIN-A3 |
| a | Original | | | 16K1A3136 | | sh: 1 |
| rev. | description | date | name | part no: (c) (b) SEE TABLE | | |



6 5 4 3 2 1

Mouser Electronics

Authorized Distributor

Click to View Pricing, Inventory, Delivery & Lifecycle Information:

[CONEC:](#)

[16-001840E](#)