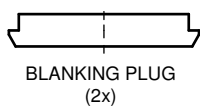
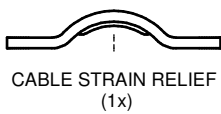
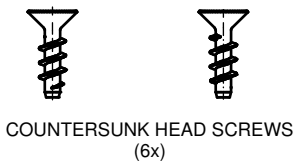
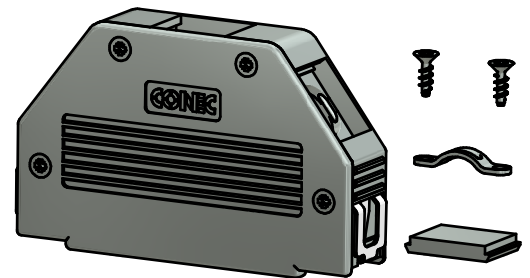
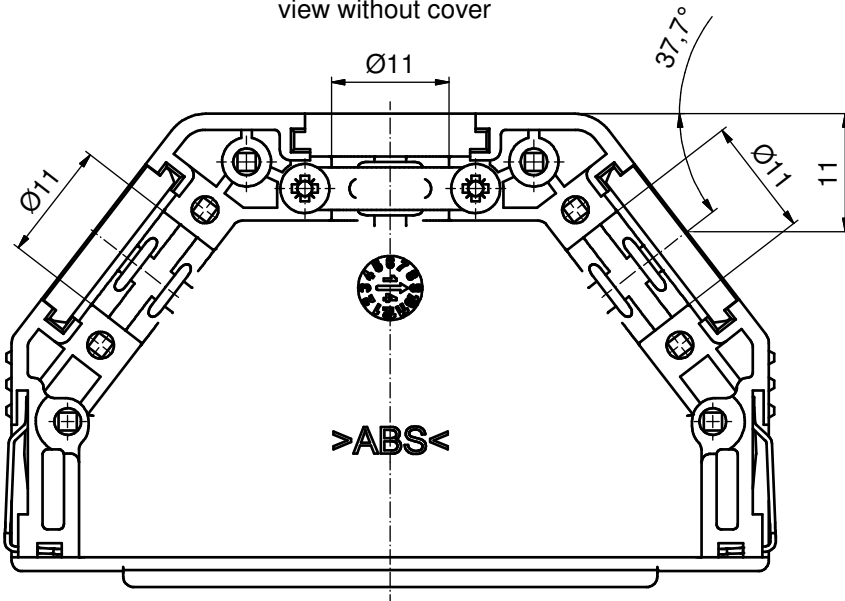


view without cover



RoHS compliant

HOOD ASSEMBLY CONSISTS OF:

1. HOOD + COVER: ABS UL 94 V-0; NICKEL PLATED
2. BLANKING PLUGS: ABS UL 94 V-0; NICKEL PLATED
3. CABLE STRAIN RELIEF: STEEL; NICKEL PLATED
4. CLIP: STAINLESS STEEL
5. COUNTERSUNK HEAD SCREWS: STEEL; NICKEL PLATED

Part-No.	
Bulk package	Single package
16-001780	16-001780E

THIS DRAWING MAY NOT BE COPIED OR REPRODUCED IN ANY WAY, AND MAY NOT BE PASSED ON TO A THIRD PARTY WITHOUT WRITTEN PERMISSION. OWNERSHIP AND COPYRIGHT OF CONEC GmbH DO NOT ALTER CAD DRAWING BY HAND	tolerance		dim. in mm		scale: 2:1 (1:1)	
	material: see drawing		title:		Plastic Hood 37pos	
	with Snap Lock / top and two sides cable exit		dwg no:		16K1A3532	
	DIN-A3		sh: 1		part no: (b) SEE TABLE	
	rev. description		date		name	



Mouser Electronics

Authorized Distributor

Click to View Pricing, Inventory, Delivery & Lifecycle Information:

[CONEC:](#)

[16-001780E](#)