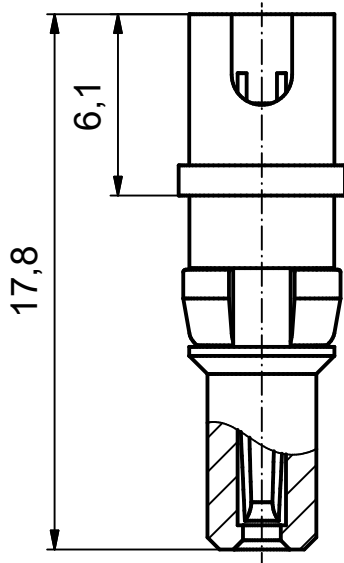


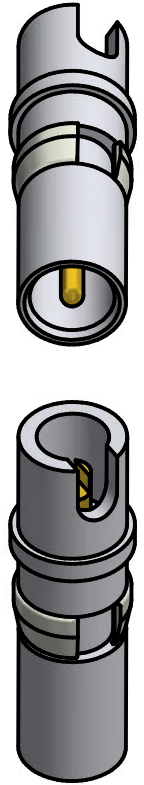
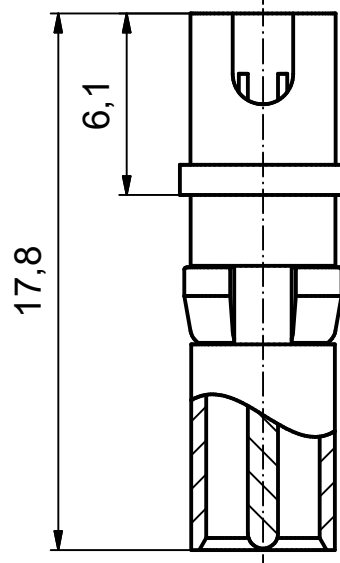
PLUG CONTACT: **131J14519X**

(d) SHOULD BE USED FOR D-SUB COMBINATION MALE CONNECTORS

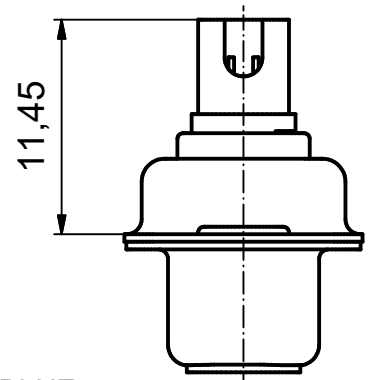


SOCKET CONTACT: **132J14519X**

(d) SHOULD BE USED FOR D-SUB COMBINATION FEMALE CONNECTORS

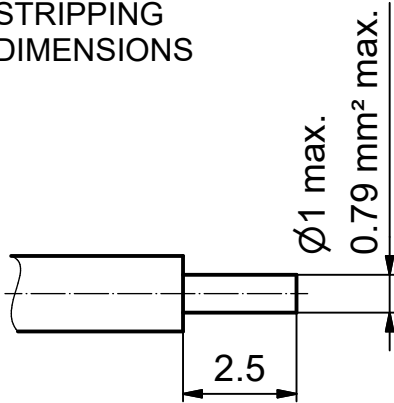


INSTALLATION DIMENSION



RoHS compliant

STRIPPING DIMENSIONS



(d) (b) (c) **NOTES:**

1. INSULATOR:
PLUG CONTACT: PTFE, BLUE
SOCKET CONTACT: PTFE, WHITE
2. CONTACT: COPPER ALLOY,
PLATING CONTACT AREA:
50 µin HARD GOLD OVER NICKEL
3. SOLDER CUP ACCEPTS CABLE AWG 20
4. RETAINING RING: COPPER ALLOY, NICKEL PLATED
5. PLUG CONTACT MAY ONLY BE MOUNTED IN D-SUB COMBINATION MALE CONNECTORS, SOCKET CONTACT MAY ONLY BE MOUNTED IN D-SUB COMBINATION FEMALE CONNECTORS

THIS DRAWING MAY NOT BE COPIED OR REPRODUCED IN ANY WAY, AND MAY NOT BE PASSED ON TO A THIRD PARTY WITHOUT WRITTEN PERMISSION. OWNERSHIP AND COPYRIGHT OF CONEC GmbH

DO NOT ALTER CAD DRAWING BY HAND

				tolerance		scale: 4:1
				dim. in mm		material: SEE NOTES
				date	name	title: HIGH VOLTAGE PLUG + SOCKET CONTACT solder termination angled for D-SUB COMBINATION CONNECTORS
				drawn 07.05.2002	Parei	
				appd. 07.05.2002	E. Mickenbecker	
3 x d	Ä21-007	21.01.2021	JLE	norm		dwg no: 13K1A569
1 x c	Ä3527	14.12.2009	Henneb.	d-old		
1 x b	Ä2434	01.02.2006	Lehmen.			DIN-A4
a	Original					sh: 1
rev.	description	date	name			part no: SEE DRAWING



Mouser Electronics

Authorized Distributor

Click to View Pricing, Inventory, Delivery & Lifecycle Information:

[CONEC:](#)

[132J14519X](#)