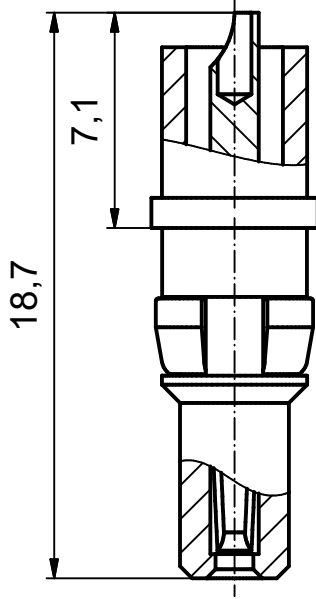




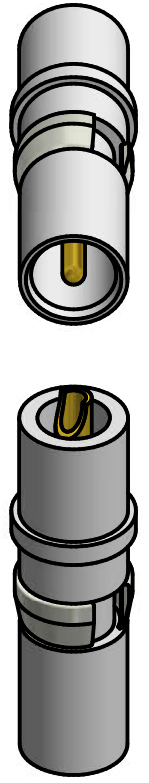
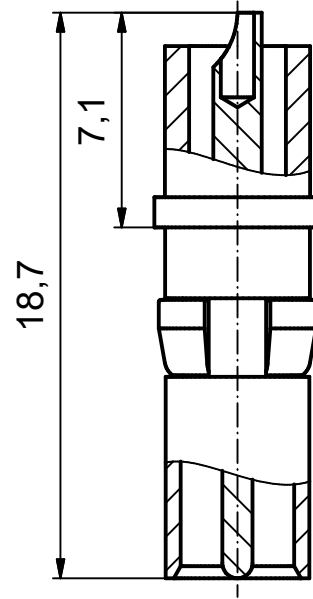
PLUG CONTACT: 131□14019X

ⓐ SHOULD BE USED FOR D-SUB COMBINATION MALE CONNECTORS

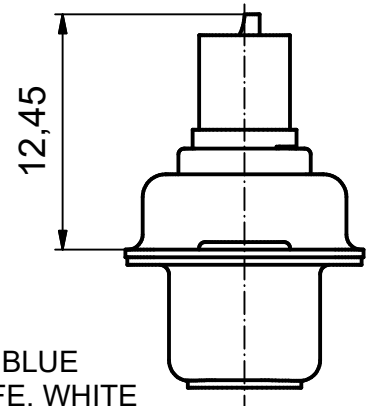


SOCKET CONTACT: 132□14019X

ⓐ SHOULD BE USED FOR D-SUB COMBINATION FEMALE CONNECTORS

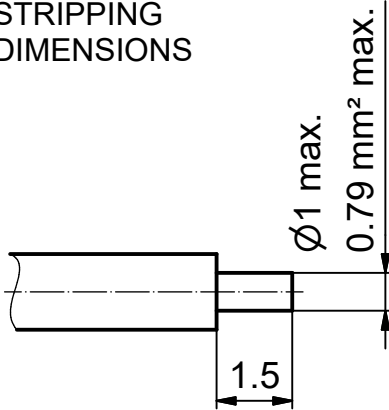


INSTALLATION DIMENSION



RoHS compliant

STRIPPING DIMENSIONS



ⓐ ⓑ NOTES:

- INSULATOR:
PLUG CONTACT: PTFE, BLUE
SOCKET CONTACT: PTFE, WHITE
- CONTACT: COPPER ALLOY,
PLATING CONTACT AREA:
□ = A: GOLD FLASH OVER NICKEL
□ = J: 50 µin HARD GOLD OVER NICKEL
- SOLDER CUP ACCEPTS CABLE AWG 20
- RETAINING RING: COPPER ALLOY, NICKEL PLATED
- PLUG CONTACT MAY ONLY BE MOUNTED IN D-SUB COMBINATION MALE CONNECTORS, SOCKET CONTACT MAY ONLY BE MOUNTED IN D-SUB COMBINATION FEMALE CONNECTORS

THIS DRAWING MAY NOT BE COPIED OR REPRODUCED IN ANY WAY, AND MAY NOT BE PASSED ON TO A THIRD PARTY WITHOUT WRITTEN PERMISSION. OWNERSHIP AND COPYRIGHT OF CONEC GmbH

DO NOT ALTER CAD DRAWING BY HAND

| | | | | | | | |
|-------|-------------|------------|---------|------------------|-----------------|------------------------------------|-------------|
| | | | | tolerance | | scale: | 4:1 |
| | | | | | dim. in mm | material: | SEE NOTES |
| | | | | date | name | title: | |
| | | | | drawn 07.05.2002 | Parei | HIGH VOLTAGE PLUG + SOCKET CONTACT | |
| | | | | appd. 07.05.2002 | E. Mickenbecker | solder termination straight | |
| | | | | norm | | for D-SUB COMBINATION CONNECTORS | |
| 3 x c | Ä21-007 | 21.01.2021 | JLE | d-old | | dwg no: | DIN-A4 |
| 1 x b | Ä3527 | 14.12.2009 | Henneb. | | | 13K1A568 | sh: 1 |
| a | Original | | | | | | |
| rev. | description | date | name | | | part no: | SEE DRAWING |

Mouser Electronics

Authorized Distributor

Click to View Pricing, Inventory, Delivery & Lifecycle Information:

[CONEC:](#)

[132J14019X](#)