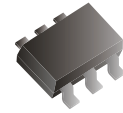


## CDSV6-16-G/4148-G

Forward Current: 0.15A  
Reverse Voltage: 75V  
RoHS Device

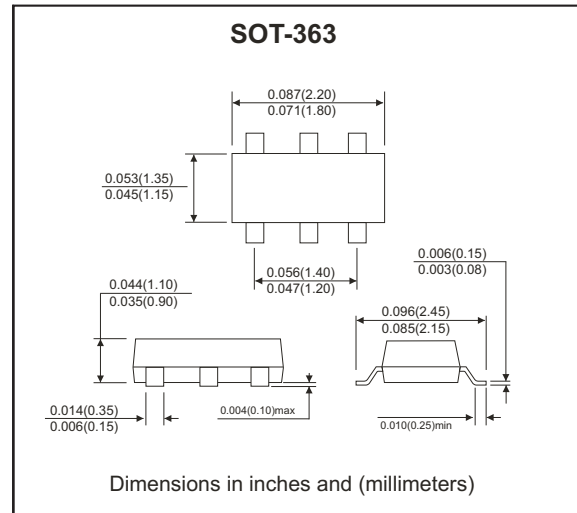
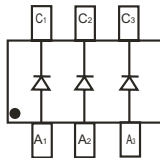


### Features

- Fast switching speed.
- For general purpose switching applications.
- High conductance.

### Marking: KA2

### Diagram:



### Maximum Ratings (at TA=25°C unless otherwise noted)

| Parameter   | Symbol                          | Limits     | Unit |
|---|---------------------------------|------------|------|
| Non-repetitive peak reverse voltage   | $V_{RM}$                        | 100        | V    |
| Peak repetitive peak reverse voltage<br>Working peak reverse voltage<br>DC blocking voltage | $V_{RRM}$<br>$V_{RWM}$<br>$V_R$ | 75         | V    |
| RMS reverse voltage   | $V_{R(RMS)}$                    | 53         | V    |
| Forward continuous current  | $I_{FM}$                        | 300        | mA   |
| Averaged rectified output current   | $I_o$                           | 150        | mA   |
| Peak forward surge current<br>@t=1.0μS<br>@t=1.0S   | $I_{FSM}$                       | 2.0<br>1.0 | A    |
| Power dissipation   | $P_D$                           | 200        | mW   |
| Thermal resistance, junction to ambient air   | $R_{\theta JA}$                 | 625        | °C/W |
| Operation and storage temperature range   | $T_J, T_{STG}$                  | -65 ~ +150 | °C   |

### Electrical Characteristics (at TA=25°C unless otherwise noted)

| Parameter                     | Conditions   | Symbol                                       | Min | Typ | Max                           | Unit     |
|-------------------------------|--|--|-----|-----|-------------------------------|----------|
| Reverse breakdown voltage     | $I_R=1\mu A$   | $V_{(BR)R}$                                  | 75  |     |                               | V        |
| Forward voltage               | $I_F=1mA$<br>$I_F=10mA$<br>$I_F=50mA$<br>$I_F=150mA$           | $V_{F1}$<br>$V_{F2}$<br>$V_{F3}$<br>$V_{F4}$ |     |     | 0.715<br>0.855<br>1.0<br>1.25 | V        |
| Reverse leakage current       | $V_R=20V$<br>$V_R=75V$   | $I_{R1}$<br>$I_{R2}$                         |     |     | 25<br>1                       | nA<br>μA |
| Capacitance between terminals | $V_R=0V, f=1.0MHz$   | $C_T$  |     |     | 2                             | pF       |
| Reverse recovery time         | $I_F=I_{R1}=10mA$ to $I_{R2}=0.1 \times I_{R1}, R_L=100\Omega$ | $t_r$  |     |     | 4                             | nS       |

## ELECTRICAL CHARACTERISTIC CURVES (CDSV6-16-G/4148-G)

Fig.1 - Forward Characteristics

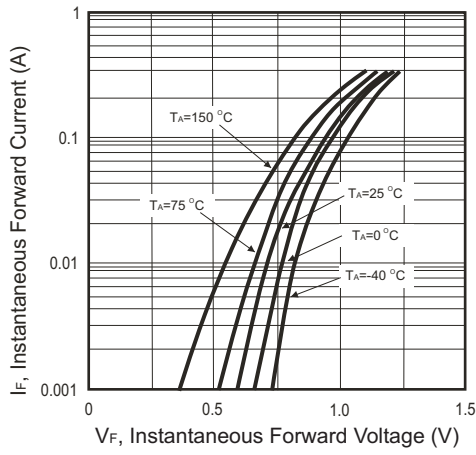


Fig.2 - Reverse Characteristics

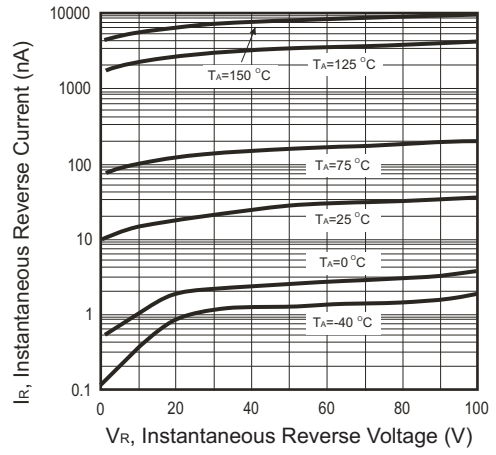
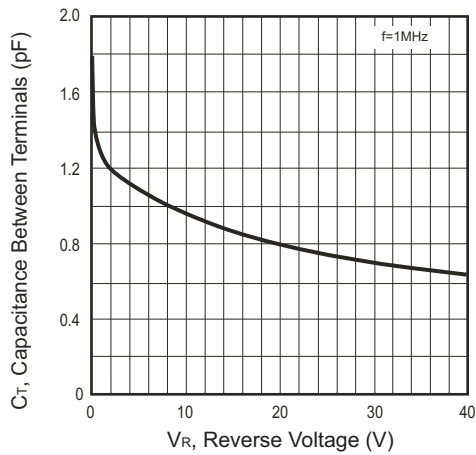


Fig.3 - Capacitance Between Terminals Characteristics



# Mouser Electronics

Authorized Distributor

Click to View Pricing, Inventory, Delivery & Lifecycle Information:

[Comchip Technology:](#)

[CDSV6-4148-G](#)