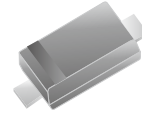


CZRH584C2V4-G Thru CZRH584C51-G

Voltage: 2.4 to 51 Volts

Power: 200 mWatts

RoHS Device

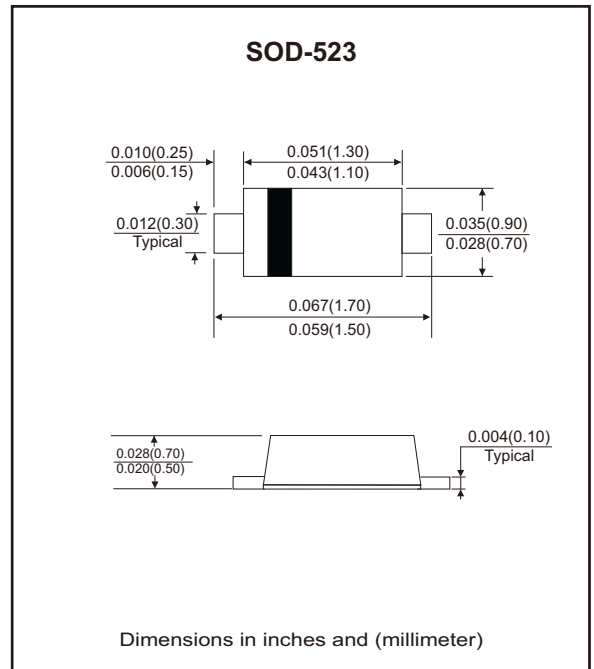


Features

- For surface mounted applications.
- Power Dissipation P_D : 200mW .
- Ideally suited for automated assembly processes.

Mechanical data

- Case: SOD-523, Molded plastic.
- Terminals: Solder Plated, solderable per MIL-STD-750, method 2026.
- Polarity: Cathode band.



Circuit Diagram



Maximum Rating And Electrical Characteristics

Parameter	Symbol	Value	Unit
Total power Dissipation	P_{tot}	200	mW
Total resistance junction to ambient	$R_{\theta JA}$	680	$^{\circ}C/W$
Total resistance junction to soldering point	$R_{\theta JS}$	100	$^{\circ}C/W$
Junction Temperature	T_J	150	$^{\circ}C$
Storage Temperature	T_{STG}	-65 to +150	$^{\circ}C$

Electrical Characteristics (at Ta=25°C unless otherwise noted)

Part Number	Zener voltage range				Maximum zener impedance			Maximum Reverse current		Typical Temperature coefficient@ I _{ZT} mV/°C		Marking Code
	V _Z (V)@I _{ZT}			I _{ZT}	Z _{ZT} @I _{ZT}	Z _{ZK} @I _{ZK}		I _R	V _R	Min	Max	
	Min(V)	Nom(V)	Max(V)	(mA)	(Ω)	(Ω)	(mA)	(μA)	(V)			
CZRH584C2V4-G	2.2	2.4	2.6	5.0	100	600	1.0	50	1.0	-3.5	0	Z11
CZRH584C2V7-G	2.5	2.7	2.9	5.0	100	600	1.0	20	1.0	-3.5	0	Z12
CZRH584C3V0-G	2.8	3.0	3.2	5.0	95	600	1.0	10	1.0	-3.5	0	Z13
CZRH584C3V3-G	3.1	3.3	3.5	5.0	95	600	1.0	5.0	1.0	-3.5	0	Z14
CZRH584C3V6-G	3.4	3.6	3.8	5.0	90	600	1.0	5.0	1.0	-3.5	0	Z15
CZRH584C3V9-G	3.7	3.9	4.1	5.0	90	600	1.0	3.0	1.0	-3.5	0	Z16
CZRH584C4V3-G	4.0	4.3	4.6	5.0	90	600	1.0	3.0	1.0	-3.5	0	Z17
CZRH584C4V7-G	4.4	4.7	5.0	5.0	80	500	1.0	3.0	2.0	-3.5	0.2	Z1
CZRH584C5V1-G	4.8	5.1	5.4	5.0	60	480	1.0	2.0	2.0	-2.7	1.2	Z2
CZRH584C5V6-G	5.2	5.6	6.0	5.0	40	400	1.0	1.0	2.0	-2.0	2.5	Z3
CZRH584C6V2-G	5.8	6.2	6.6	5.0	10	150	1.0	3.0	4.0	0.4	3.7	Z4
CZRH584C6V8-G	6.4	6.8	7.2	5.0	15	80	1.0	2.0	4.0	1.2	4.5	Z5
CZRH584C7V5-G	7.0	7.5	7.9	5.0	15	80	1.0	1.0	5.0	2.5	5.3	Z6
CZRH584C8V2-G	7.7	8.2	8.7	5.0	15	80	1.0	0.7	5.0	3.2	6.2	Z7
CZRH584C9V1-G	8.5	9.1	9.6	5.0	15	100	1.0	0.5	6.0	3.8	7.0	Z8
CZRH584C10-G	9.4	10	10.6	5.0	20	150	1.0	0.2	7.0	4.5	8.0	Z9
CZRH584C11-G	10.4	11	11.6	5.0	20	150	1.0	0.1	8.0	5.4	9.0	Y1
CZRH584C12-G	11.4	12	12.7	5.0	25	150	1.0	0.1	8.0	6.0	10.0	Y2
CZRH584C13-G	12.4	13	14.0	5.0	30	170	1.0	0.1	8.0	7.0	11.0	Y3
CZRH584C15-G	13.8	15	15.6	5.0	30	200	1.0	0.1	10.5	9.2	13.0	Y4
CZRH584C16-G	15.3	16	17.1	5.0	40	200	1.0	0.1	11.2	10.4	14.0	Y5
CZRH584C18-G	16.8	18	19.1	5.0	45	225	1.0	0.1	12.6	12.4	16.0	Y6
CZRH584C20-G	18.8	20	21.2	5.0	55	225	1.0	0.1	14.0	14.4	18.0	Y7
CZRH584C22-G	20.8	22	23.3	5.0	55	250	1.0	0.1	15.4	16.4	20.0	Y8
CZRH584C24-G	22.8	24	25.6	5.0	70	250	1.0	0.1	16.8	18.4	22.0	Y9
CZRH584C27-G	25.1	27	28.9	2.0	80	300	0.5	0.1	18.9	21.4	25.3	Y10
CZRH584C30-G	28.0	30	32.0	2.0	80	300	0.5	0.1	21.0	24.4	29.4	Y11
CZRH584C33-G	31.0	33	35.0	2.0	80	325	0.5	0.1	23.1	27.4	33.4	Y12
CZRH584C36-G	34.0	36	38.0	2.0	90	350	0.5	0.1	25.2	30.4	37.4	Y13
CZRH584C39-G	37.0	39	41.0	2.0	130	350	0.5	0.1	27.3	33.4	41.2	Y14
CZRH584C43-G	40.0	43	46.0	2.0	150	375	0.5	0.1	30.1	10.0	12.0	Y15
CZRH584C47-G	44.0	47	50.0	2.0	170	375	0.5	0.1	32.9	10.0	12.0	Y16
CZRH584C51-G	48.0	51	54.0	2.0	180	400	0.5	0.1	35.7	10.0	12.0	Y17

RATING AND CHARACTERISTIC CURVES (CZRH584C2V4-G Thru. CZRH584C51-G)

Fig.1- Typical Forward Voltage

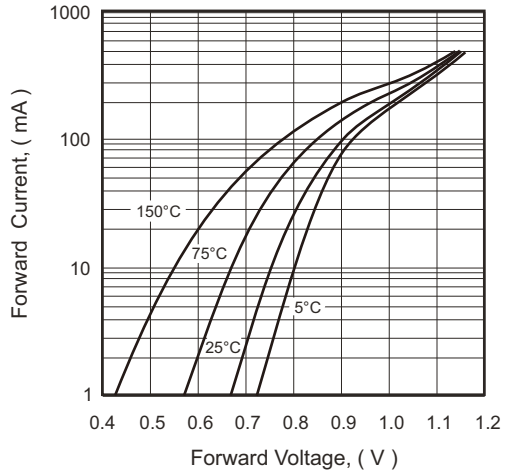


Fig.2- Zener Breakdown Characteristics

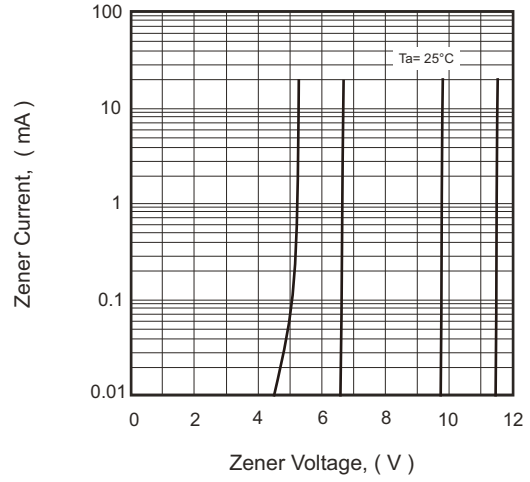


Fig.3- Zener Breakdown Characteristics

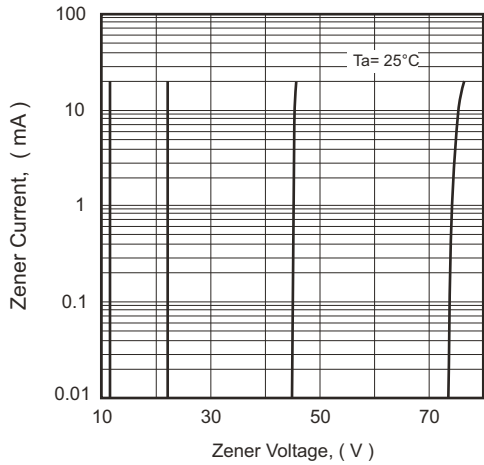
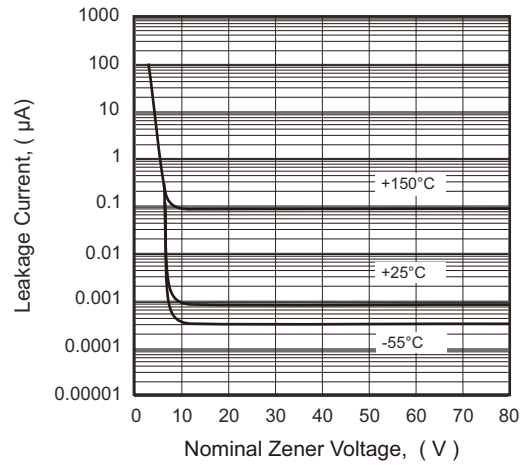
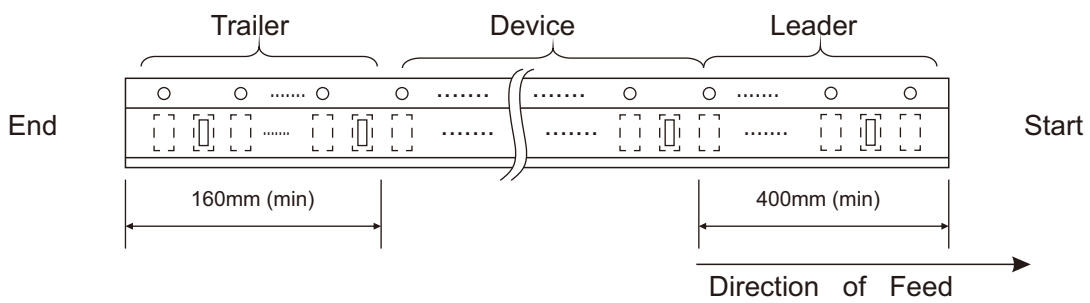
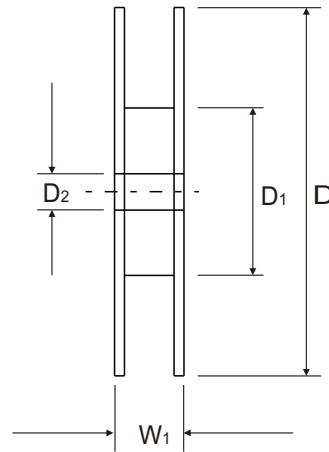
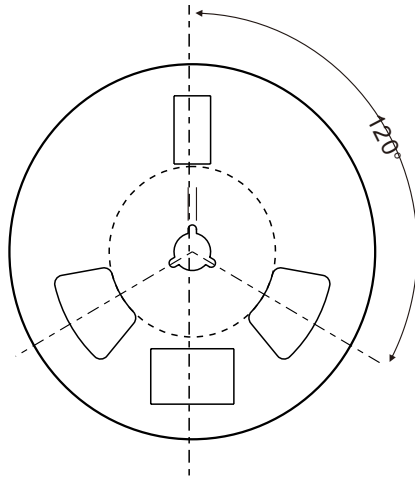
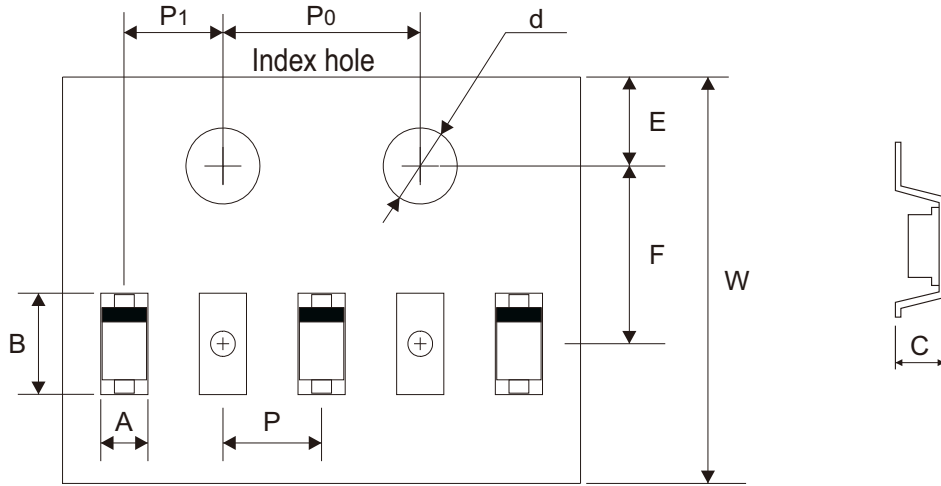


Fig.4- Typical Leakage Current



Reel Taping Specification



SOD-523	SYMBOL	A	B	C	d	D	D1	D2
	(mm)	0.95 ± 0.05	1.94 ± 0.05	0.73 ± 0.05	Φ1.50 + 0.10	178 ± 1.0	54.00 ± 0.5	13.00 ± 0.5
	(inch)	0.037 ± 0.002	0.076 ± 0.002	0.029 ± 0.002	0.059 + 0.004	7.008 ± 0.039	2.125 ± 0.020	0.512 ± 0.020

SOD-523	SYMBOL	E	F	P	P0	P1	W	W1
	(mm)	1.75 ± 0.10	3.50 ± 0.05	2.00 ± 0.05	4.00 ± 0.10	2.00 ± 0.05	8.00 + 0.30 / - 0.10	9.50 ± 1.00
	(inch)	0.069 ± 0.004	0.138 ± 0.002	0.079 ± 0.002	0.158 ± 0.004	0.079 ± 0.002	0.315 + 0.012 / - 0.004	0.374 ± 0.039

Marking Code

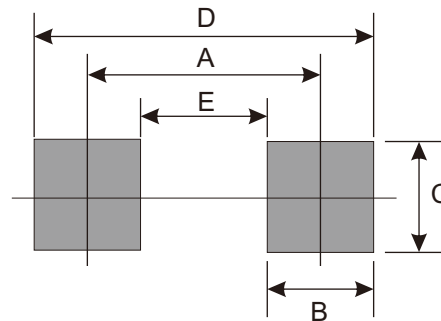
Part Number	Marking Code
CZRH584C2V4-G Thru. CZRH584C51-G Series	XXX



1. XXX: Marking code (see table on page.2)
2. : Cathode Band

Suggested PAD Layout

SIZE	SOD-523	
	(mm)	(inch)
A	1.40	0.055
B	0.40	0.016
C	0.40	0.016
D	1.80	0.071
E	1.00	0.039



Standard Packaging

Case Type	REEL PACK	
	REEL (pcs)	Reel Size (inch)
SOD-523	3,000	7

Mouser Electronics

Authorized Distributor

Click to View Pricing, Inventory, Delivery & Lifecycle Information:

[Comchip Technology:](#)

[CZRH584C3V3-G](#)