

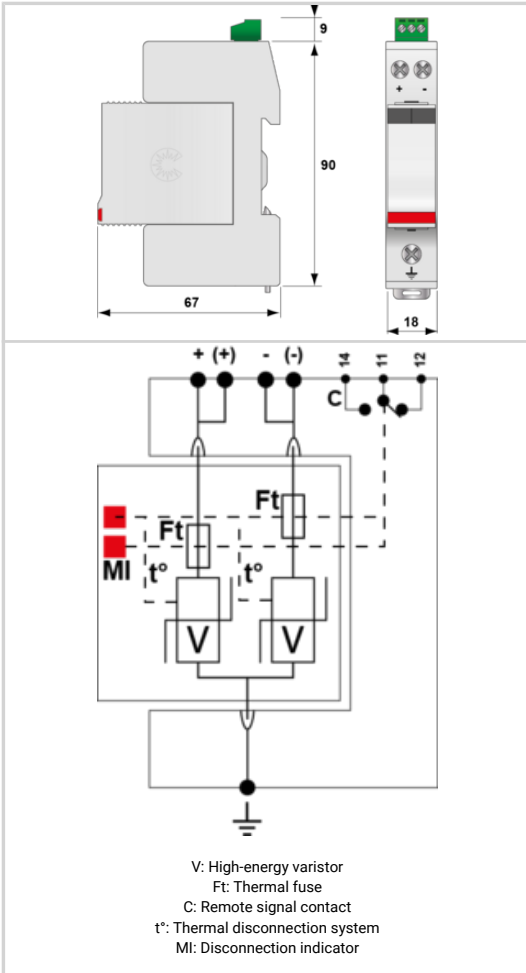


CITEL

DS230S-48DC



- MOV Technology
- UL1449 Type 4CA
- 30kA Surge Current Rating per module
- Visual fault indicator and remote contacts
- 10-Year warranty



| Electrical Characteristics | | |
|--|------------|---|
| Network | | DC or PV network 48Vdc |
| Max. DC operating voltage | Uc | 65 Vdc |
| Max. load current @25°C | IL | 50 A |
| Total Maximum discharge current max. total withstand @ 8/20 μs | Imax Total | 30 kA |
| Protection mode(s) | | Common mode |
| POWER SPD TYPE | | UL1449 5th Ed. TYPE 4CA |
| VOLTS | (V) | 48 |
| AC/DC/DC PV/RF | | DC |
| PHASE | (PH) | - |
| AMPS | (A) | N/A |
| AMBIENT MIN | (C) | -40 |
| AMBIENT MAX | (C) | +85 |
| MODES | | DC+DC-,DC+G,DC-G |
| MLV DC | (V) | 710/540/560 |
| MCOV | (V) | 65/65/65 |
| IN 15 impulses 8/20μs | (kA) | 10 |
| SCCR | (kA) | n/a |
| IMAX 8/20μs | (kA) | 30 |
| Mechanical Characteristics | | |
| Technology | | MOV |
| Connection to Network | | By screw terminals: 1.5-10mm ² (active wires) and 2.5-25mm ² (ground) |
| Format | | Plug-in modular box |
| Failsafe mode | | Disconnection from DC network |
| TECHNOLOGY | | MOV |
| NETWORK CONFIGURATION | | 2W+G |
| CONNECTION METHOD | | SPD-Screw Terminal (8-12AWG), Terminal blocks 6AWG |
| MOUNTING | | DIN RAIL |
| MATERIAL | | Thermoplastic UL94-V0 |
| NEMA RATING (IP RATING) | | NEMA 2 (IP20) |
| FAIL-SAFE BEHAVIOR | | Disconnection via fuse-link |
| REAL-TIME DIAGNOSTICS | | Visual indicator and remote contacts |
| DIMENSIONS | | See diagram |
| WEIGHT | | 0.30 lbs |
| SPARE PART | | DSM220-12DC |
| Standards | | |
| Certification | | UL Recognized |
| UL STANDARD | | UL1449 5th Edition |
| UL CATEGORY | | VZCA2, VZCA8 |
| UL FILE NUMBER | | E326289 |
| STANDARDS | | IEC 61643-11, NOM-003-SCFI-2014, NOM-001-SCFI-1993 |
| ENVIRONMENTAL STANDARDS | | ROHS |
| Part number | | |
| 390411 | | |



Mouser Electronics

Authorized Distributor

Click to View Pricing, Inventory, Delivery & Lifecycle Information:

[Citel:](#)

[DS230S-48DC](#)