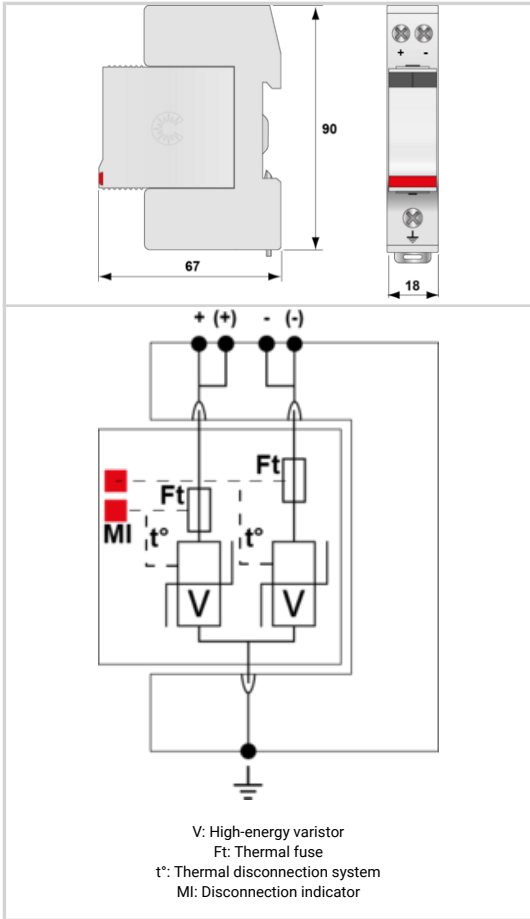
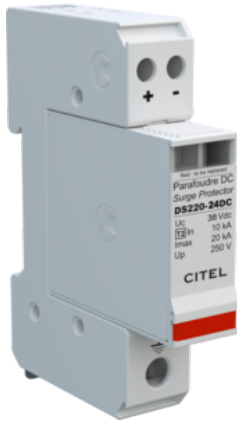




CITEL

DS220-24DC



Electrical Characteristics		
Network		DC or PV network 24Vdc
Max. DC operating voltage	Uc	38 Vdc
Max. load current @25°C	IL	50 A
Total Maximum discharge current max. total withstand @ 8/20 μs	Imax Total	40 kA
Protection mode(s)		Common mode
Protection level +/PE (-/PE) @ In (8/20μs)	Up	250 V
Mechanical Characteristics		
Technology		MOV
Connection to Network		By screw terminals: 1.5-10mm ² (actives wires) and 2.5-25mm ² (ground)
Format		Plug-in modular box
Failsafe mode		Disconnection from DC network
Weight		0.109 kg
Standards		
Certification		UL 497B
Part number		
390501		



Mouser Electronics

Authorized Distributor

Click to View Pricing, Inventory, Delivery & Lifecycle Information:

[Citel:](#)

[DS220-24DC](#)