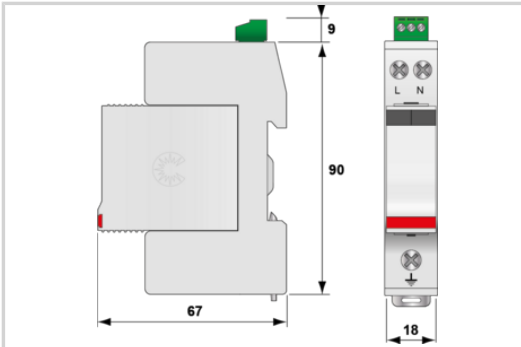
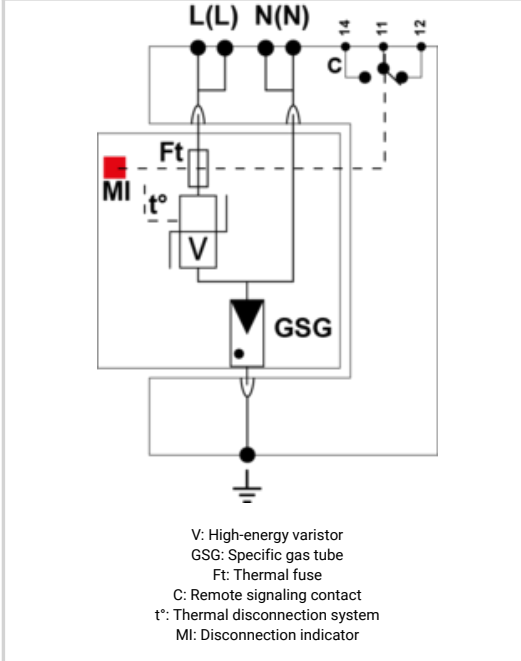




- MOV+GSG Technology
- UL1449 TYPE 4CA
- 40kA Surge Current Rating per module
- Visual fault indicator and remote contacts
- 10-Year warranty



Electrical Characteristics		
Network		230 V single-phase
Total Maximum discharge current <i>max. total withstand @ 8/20 μs</i>	I _{max} Total	40 kA
Protection mode(s)		Common/Differential mode
POWER SPD TYPE		UL1449 5th Ed. TYPE 4CA
VOLTS	(V)	400/230
AC/DC/DC PV/RF		AC
PHASE	(PH)	1S
AMPS	(A)	N/A
AMBIENT MIN	(C)	-35
AMBIENT MAX	(C)	+60
MODES		L-L, L-G, L-N, N-G
MLV	(V)	-/1790/2240/1480
MCOV	(V)	-/255/255/255
IN	(kA)	20
15 impulses 8/20μs		
SCCR	(kA)	n/a
IMAX	(kA)	40
8/20μs		
Option		
Remote status dry contact electrical ratingMax Voltage	V	250.0000
Remote status dry contact electrical ratingMax Current	A	0.5000
RFI Filter		No
Installation		
Wiring type		screw
Solid wire cross sectionMin	mm ²	1.5000
Solid Wire cross sectionMax	mm ²	16.0000
Stranded Wire cross sectionMin	mm ²	1.5000
Stranded wire cross sectionMax	mm ²	10.0000
Wire gaugeMin	AWG	15.0000
Wire gaugeMax	AWG	5.0000
Torque	Nm	1.2-1.5
Torque	in-lbs	10.6-13.3
Strip Length	mm	16.0000
Strip Length	in	0.6300
Operating TemperatureMin	°C	-40.0000
Operating TemperatureMax	°C	85.0000
Operating TemperatureMin	°F	-40.0000
Operating TemperatureMax	°F	85.0000
Operating Relative HumidityMax	%RH	95
Operating AltitudeMin	Ft	2000.0000
Operating AltitudeMax	Ft	6500.0000
Housing/Enclosure material		Thermoplastic
Flammability ratingUL 94		V0
Mounting		Rail Din
IP Environmental ratingIP		IP20
Installation Location		Indoor / outdoor
Spare part		Module
Product DimensionL	mm	90.0000
Product DimensionH	mm	67.0000
Product DimensionW	mm	18.0000
Product DimensionL	In	3.5400
Product DimensionH	In	2.6300
Product DimensionW	In	0.7100
Miscellaneous		
Individual Pack		Yes



DS240S-230/G

Storage Temperature _{Min}	°C	-40.0000
Storage Temperature _{Max}	°C	85.0000
Storage Temperature _{Min}	°F	-40.0000
Storage Temperature _{Max}	°F	85.0000
Storage Relative Humidity _{Max}	%RH	95.0000
Mechanical Characteristics		
Technology		MOV
Connection to Network		By screw terminals: 1.5-10mm ² (L/N) or 2.5-25mm ² (PE)
Format		Plug-in modular box
Failsafe mode		Disconnection from AC network
TECHNOLOGY		MOV+GSG
NETWORK CONFIGURATION		2 pole, 2W+G, Single/Spilt Phase
CONNECTION METHOD		Screw Terminal, 15-5AWG Solid Wire, 15-7AWG Stranded Wire
MOUNTING		Din Rail
MATERIAL		Thermoplastic UL94-V0
NEMA RATING (IP RATING)		NEMA 2 (IP20)
FAIL-SAFE BEHAVIOR		Disconnection via fuse-link
REAL-TIME DIAGNOSTICS		Visual indicator and remote contacts
DIMENSIONS		See diagram
WEIGHT		0.30 lbs
Standards		
Certification		UL / CSA / TUV Süd
UL STANDARD		UL1449 5th Edition
UL CATEGORY		VZCA2, VZCA8
UL FILE NUMBER		E326289
STANDARDS		NOM-003-SCFI-2014, NOM-001-SCFI-1993
ENVIRONMENTAL STANDARDS		ROHS
Part number		
311731		

Mouser Electronics

Authorized Distributor

Click to View Pricing, Inventory, Delivery & Lifecycle Information:

[Citel:](#)

[DS240S-230/G](#)